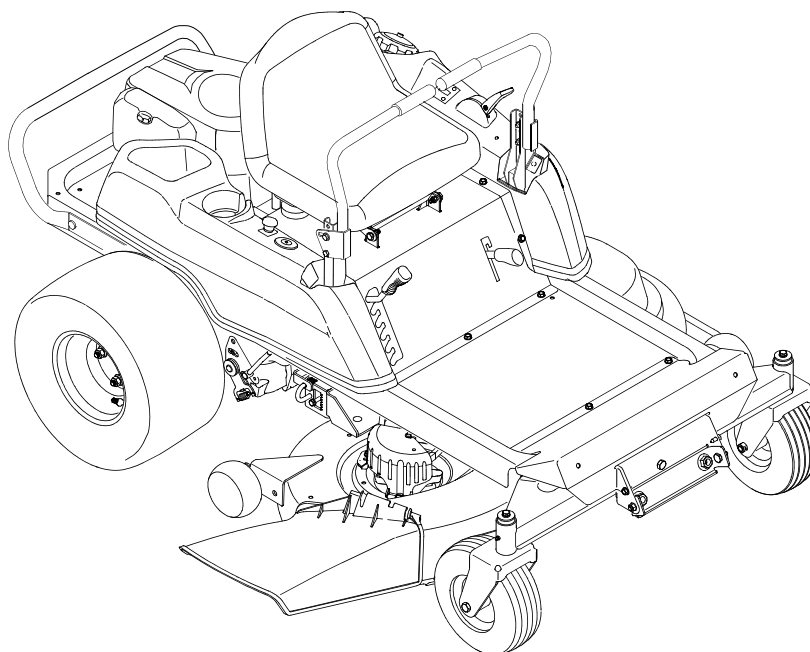




# OPERATOR'S MANUAL



## RZT Series Tractor — Colt RZT

### **⚠ WARNING**

**READ AND FOLLOW ALL SAFETY RULES AND INSTRUCTIONS IN THIS MANUAL  
BEFORE ATTEMPTING TO OPERATE THIS MACHINE.  
FAILURE TO COMPLY WITH THESE INSTRUCTIONS MAY RESULT IN PERSONAL INJURY.**

---

TROY-BILT LLC, P.O. BOX 361131 CLEVELAND, OHIO 44136-0019

---

## Thank You

Thank you for purchasing an RZT series tractor manufactured by Troy-Bilt LLC. It was carefully engineered to provide excellent performance when properly operated and maintained.

Please read this entire manual prior to operating the equipment. It instructs you how to safely and easily set up, operate and maintain your machine. Please be sure that you, and any other persons who will operate the machine, carefully follow the recommended safety practices at all times. Failure to do so could result in personal injury or property damage.

All information in this manual is relative to the most recent product information available at the time of printing. Review this manual frequently to familiarize yourself with the machine, its features and operation. Please be aware that this Operator's Manual may cover a range of product specifications for various models. Characteristics and features discussed and/or illustrated in this manual may not be applicable to all models. Troy-Bilt LLC

reserves the right to change product specifications, designs and equipment without notice and without incurring obligation.

This product has met the rigid safety standards of the Outdoor Power Equipment Institute and an independent testing laboratory. If you have any problems or questions concerning the machine, phone a authorized Troy-Bilt service dealer or contact us directly. Troy-Bilt's Customer Support telephone numbers, website address and mailing address can be found on this page. We want to ensure your complete satisfaction at all times.

**IMPORTANT:** In this manual, all references to *right* and *left* side of the machine are observed from the operating position.

The engine manufacturer is responsible for all engine-related issues with regards to performance, power-rating, specifications, warranty and service. Please refer to the engine manufacturer's Owner's/Operator's Manual, packed separately with your machine, for more information.

---

## Table of Contents

<b>Safe Operation Practices .....</b>	<b>3</b>	<b>Service .....</b>	<b>26</b>
<b>Assembly &amp; Set-Up .....</b>	<b>8</b>	<b>Troubleshooting .....</b>	<b>31</b>
<b>Controls &amp; Features .....</b>	<b>10</b>	<b>Replacement Parts .....</b>	<b>32</b>
<b>Operation .....</b>	<b>13</b>	<b>Attachments &amp; Accessories .....</b>	<b>34</b>
<b>Maintenance &amp; Adjustment .....</b>	<b>19</b>	<b>Warranty .....</b>	<b>Back Cover</b>

---

## Record Product Information

Before setting up and operating your new equipment, please locate the model plate on the equipment and record the information in the provided area to the right. Pivot the seat assembly forward to locate the model plate on the underside of the seat pivot bracket..This information will be necessary, should you seek technical support via our web site, Customer Support Department, or with a local authorized service dealer.

### MODEL NUMBER

--	--	--	--	--	--	--	--	--	--	--

### SERIAL NUMBER

--	--	--	--	--	--	--	--	--	--	--

---

## Customer Support

**Please do NOT return the machine to the retailer or dealer without first contacting our Customer Support Department.**

If you have difficulty assembling this product or have any questions regarding the controls, operation, or maintenance of this machine, you can seek help from the experts. Choose from the options below:

- ◇ Visit us on the web at [www.troybilt.com](http://www.troybilt.com)
- ◇ Call a Customer Support Representative at (800) 828-5500 or (330) 558-7220
- ◇ Write us at Troy-Bilt LLC • P.O. Box 361131 • Cleveland, OH • 44136-0019



**WARNING:** This symbol points out important safety instructions which, if not followed, could endanger the personal safety and/or property of yourself and others. Read and follow all instructions in this manual before attempting to operate this machine. Failure to comply with these instructions may result in personal injury.

When you see this symbol. **HEED ITS WARNING!**

## CALIFORNIA PROPOSITION 65



**WARNING:** Engine Exhaust, some of its constituents, and certain vehicle components contain or emit chemicals known to State of California to cause cancer and birth defects or other reproductive harm.



**WARNING:** Battery posts, terminals, and related accessories contain lead and lead compounds, chemicals known to the State of California to cause cancer and reproductive harm. *Wash hands after handling*



**DANGER:** This machine was built to be operated according to the safe operation practices in this manual. As with any type of power equipment, carelessness or error on the part of the operator can result in serious injury. This machine is capable of amputating hands and feet and throwing objects. Failure to observe the following safety instructions could result in serious injury or death.

## General Operation

1. Read, understand, and follow all instructions on the machine and in the manual(s) before attempting to assemble and operate. Keep this manual in a safe place for future and regular reference and for ordering replacement parts.
2. Be familiar with all controls and their proper operation. Know how to stop the machine and disengage them quickly.
3. Never allow children under 14 years of age to operate this machine. Children 14 and over should read and understand the instructions and safe operation practices in this manual and on the machine and should be trained and supervised by an adult.
4. Never allow adults to operate this machine without proper instruction.
5. To help avoid blade contact or a thrown object injury, keep bystanders, helpers, children and pets at least 75 feet from the machine while it is in operation. Stop machine if anyone enters the area.
6. Thoroughly inspect the area where the equipment is to be used. Remove all stones, sticks, wire, bones, toys, and other foreign objects which could be picked up and thrown by the blade(s). Thrown objects can cause serious personal injury.
7. Plan your mowing pattern to avoid discharge of material toward roads, sidewalks, bystanders and the like. Also, avoid discharging material against a wall or obstruction which may cause discharged material to ricochet back toward the operator.
8. Always wear safety glasses or safety goggles during operation and while performing an adjustment or repair to protect your eyes. Thrown objects which ricochet can cause serious injury to the eyes.
9. Wear sturdy, rough-soled work shoes and close-fitting slacks and shirts. Loose fitting clothes and jewelry can be caught in movable parts. Never operate this machine in bare feet or sandals.
10. Be aware of the mower and attachment discharge direction and do not point it at anyone. Do not operate the mower without the discharge cover or entire grass catcher in its proper place.
11. Do not put hands or feet near rotating parts or under the cutting deck. Contact with the blade(s) can amputate hands and feet.

12. A missing or damaged discharge cover can cause blade contact or thrown object injuries.
13. Stop the blade(s) when crossing gravel drives, walks, or roads and while not cutting grass.
14. Watch for traffic when operating near or crossing roadways. This machine is not intended for use on any public roadway.
15. Do not operate the machine while under the influence of alcohol or drugs.
16. Mow only in daylight or good artificial light.
17. Never carry passengers.
18. Back up slowly. Always look down and behind before and while backing to avoid a back-over accident. Be aware and pay attention to the safety system function that stops power to the blades when driving in reverse. If not functioning properly, contact an authorized Troy-Bilt Dealer for safety system inspection and repair.
19. Slow down before turning. Operate the machine smoothly. Avoid erratic operation and excessive speed.
20. Disengage blade(s), set parking brake, stop engine and wait until the blade(s) come to a complete stop before removing grass catcher, emptying grass, unclogging chute, removing any grass or debris, or making any adjustments.
21. Never leave a running machine unattended. Always turn off blade(s), place drive control levers in neutral, set parking brake, stop engine and remove key before dismounting.
22. Use extra care when loading or unloading the machine into a trailer or truck. This machine should not be driven up or down ramp(s), because the machine could tip over, causing serious personal injury. The machine must be pushed manually on ramp(s) to load or unload properly.
23. Muffler and engine become hot and can cause a burn. Do not touch.
24. Check overhead clearances carefully before driving under low hanging tree branches, wires, door openings etc., where the operator may be struck or pulled from the machine, which could result in serious injury.
25. Disengage all attachment clutches, set the parking brake to the 'ON' position and move the RH and LH drive control levers fully outward to the neutral position before attempting to start the engine.
26. Your machine is designed to cut normal residential grass of a height no more than 10". Do not attempt to mow through unusually tall, dry grass (e.g., pasture) or piles of dry leaves. Dry grass or leaves may contact the engine exhaust and/or build up on the mower deck presenting a potential fire hazard.
27. Use only accessories and attachments approved for this machine by the machine manufacturer. Read, understand and follow all instructions provided with the approved accessory or attachment.
28. Data indicates that operators, age 60 years and above, are involved in a large percentage of riding mower-related injuries. These operators should evaluate their ability to operate the riding mower safely enough to protect themselves and others from serious injury.
29. If situations occur which are not covered in this manual, use care and good judgment. Contact your customer service representative for assistance.

### Slope Operation

Slopes are a major factor related to loss of control and tip-over accidents which can result in severe injury or death. All slopes require extra caution. If you cannot back up the slope or if you feel uneasy on it, do not mow it.

For your safety, use the slope gauge included as part of this manual to measure slopes before operating this machine on a sloped or hilly area. If the slope is greater than 15 degrees as shown on the slope gauge, do not operate this machine on that area or serious injury could result.

#### Do:

1. Mow across slopes, not up and down. Exercise extreme caution when changing direction on slopes.
2. Watch for holes, ruts, bumps, rocks, or other hidden objects. Uneven terrain could overturn the machine. Tall grass can hide obstacles.
3. Use slow speed. Choose a low enough speed so that you will not have to stop while on the slope. Avoid starting or stopping on a slope. If the tires are unable to maintain traction, disengage the blades and proceed slowly and carefully straight down the slope.
4. Follow the manufacturer's recommendations for wheel weights or counterweights to improve stability.
5. Use extra care with grass catchers or other attachments. These can change the stability of the machine.
6. Keep all movement on the slopes slow and gradual. Do not make sudden changes in speed or direction. Rapid acceleration or deceleration could cause the front of the machine to lift and rapidly flip over backwards, which could cause serious injury.

#### Do Not:

1. Do not turn on slopes unless necessary; then turn slowly uphill and use extra care while turning.
2. Do not mow near drop-offs, ditches or embankments. The mower could suddenly turn over if a wheel is over the edge of a cliff, ditch, or if an edge caves in.
3. Do not try to stabilize the machine by putting your foot on the ground.
4. Do not use a grass catcher on steep slopes.
5. Do not mow on wet grass. Reduced traction could cause sliding.
6. Do not tow heavy pull behind attachments (e.g. loaded dump cart, lawn roller, etc.) on slopes greater than 5 degrees. When going down hill, the extra weight tends to push the tractor and may cause you to lose control (e.g. tractor may speed up, braking and steering ability are reduced, attachment may jack-knife and cause tractor to overturn).

## Children

1. Tragic accidents can occur if the operator is not alert to the presence of children. Children are often attracted to the machine and the mowing activity. They do not understand the dangers. Never assume that children will remain where you last saw them.
  - a. Keep children out of the mowing area and in watchful care of a responsible adult other than the operator.
  - b. Be alert and turn machine off if a child enters the area.
  - c. To avoid back-over accidents, always look behind and down for small children.
  - d. Never carry children, even with the blade(s) shut off. They may fall off and be seriously injured or interfere with safe machine operation.
  - e. Use extreme care when approaching blind corners, doorways, shrubs, trees or other objects that may block your vision of a child who may run into the path of the machine.
  - f. Keep children away from hot or running engines. They can suffer burns from a hot muffler.
  - g. Remove key when machine is unattended to prevent unauthorized operation.
2. Never allow children under 14 years of age to operate this machine. Children 14 and over should read and understand the instructions and safe operation practices in this manual and on the machine and should be trained and supervised by an adult.

## Towing

1. Tow only with a machine that has a hitch designed for towing. Do not attach towed equipment except at the hitch point.
2. Follow the manufacturer's recommendation for weight limits for towed equipment and towing on slopes.
3. Never allow children or others in or on towed equipment.
4. On slopes, the weight of the towed equipment may cause loss of traction and loss of control.
5. Travel slowly and allow extra distance to stop.
6. Do not shift to neutral and coast downhill.

## Service

### Safe Handling of Gasoline:

1. To avoid personal injury or property damage use extreme care in handling gasoline. **Gasoline is extremely flammable and the vapors are explosive.** Serious personal injury can occur when gasoline is spilled on yourself or your clothes which can ignite. Wash your skin and change clothes immediately.
  - a. Use only an approved gasoline container.
  - b. Never fill containers inside a vehicle or on a truck or trailer bed with a plastic liner. Always place containers on the ground away from your vehicle before filling.

- c. When practical, remove gas-powered equipment from the truck or trailer and refuel it on the ground. If this is not possible, then refuel such equipment on a trailer with a portable container, rather than from a gasoline dispenser nozzle.
- d. Keep the nozzle in contact with the rim of the fuel tank or container opening at all times until fueling is complete. Do not use a nozzle lock-open device.
- e. Extinguish all cigarettes, cigars, pipes and other sources of ignition.
- f. Never fuel machine indoors.
- g. Never remove gas cap or add fuel while the engine is hot or running. Allow engine to cool at least two minutes before refueling.
- h. Never over fill fuel tank. Fill tank to no more than ½ inch below bottom of filler neck to allow space for fuel expansion.
- i. Replace gasoline cap and tighten securely.
- j. If gasoline is spilled, wipe it off the engine and equipment. Move machine to another area. Wait 5 minutes before starting the engine.
- k. To reduce fire hazards, keep machine free of grass, leaves, or other debris build-up. Clean up oil or fuel spillage and remove any fuel soaked debris.
- l. Never store the machine or fuel container inside where there is an open flame, spark or pilot light as on a water heater, space heater, furnace, clothes dryer or other gas appliances.
- m. Allow a machine to cool at least five minutes before storing.

## General Service

1. Never run an engine indoors or in a poorly ventilated area. Engine exhaust contains carbon monoxide, an odorless, and deadly gas.
2. Before cleaning, repairing, or inspecting, make certain the blade(s) and all moving parts have stopped. Disconnect the spark plug wire and ground against the engine to prevent unintended starting.
3. Periodically check to make sure the blades come to complete stop within approximately (5) five seconds after operating the blade disengagement control. If the blades do not stop within the this time frame, your machine should be serviced professionally by an authorized Troy-Bilt Dealer.
4. Regularly check the safety interlock system for proper function, as described later in this manual. If the safety interlock system does not function properly, have your machine serviced professionally by an authorized Troy-Bilt Dealer.

5. Check the blade(s) and engine mounting bolts at frequent intervals for proper tightness. Also, visually inspect blade(s) for damage (e.g., excessive wear, bent, cracked). Replace the blade(s) with the original equipment manufacturer's (O.E.M.) blade(s) only, listed in this manual. "Use of parts which do not meet the original equipment specifications may lead to improper performance and compromise safety!"
6. Mower blades are sharp. Wrap the blade or wear gloves, and use extra caution when servicing them.
7. Keep all nuts, bolts, and screws tight to be sure the equipment is in safe working condition.
8. Never tamper with the safety interlock system or other safety devices. Check their proper operation regularly.
9. After striking a foreign object, stop the engine, disconnect the spark plug wires) and ground against the engine. Thoroughly inspect the machine for any damage. Repair the damage before starting and operating.
10. Never attempt to make adjustments or repairs to the machine while the engine is running.
11. Grass catcher components and the discharge cover are subject to wear and damage which could expose moving parts or allow objects to be thrown. For safety protection, frequently check components and replace immediately with original equipment manufacturer's (O.E.M.) parts only, listed in this manual. "Use of parts which do not meet the original equipment specifications may lead to improper performance and compromise safety!"
12. Do not change the engine governor settings or over-speed the engine. The governor controls the maximum safe operating speed of the engine.
13. Maintain or replace safety and instruction labels, as necessary.
14. Observe proper disposal laws and regulations for gas, oil, etc. to protect the environment.

## Do not modify engine

To avoid serious injury or death, do not modify engine in any way. Tampering with the governor setting can lead to a runaway engine and cause it to operate at unsafe speeds. Never tamper with factory setting of engine governor.

## Notice Regarding Emissions

Engines which are certified to comply with California and federal EPA emission regulations for SORE (Small Off Road Equipment) are certified to operate on regular unleaded gasoline, and may include the following emission control systems: Engine Modification (EM) and Three Way Catalyst (TWC) if so equipped.

## Spark Arrestor



**WARNING:** This machine is equipped with an internal combustion engine and should not be used on or near any unimproved forest-covered, brush covered or grass-covered land unless the engine's exhaust system is equipped with a spark arrester meeting applicable local or state laws (if any).

If a spark arrester is used, it should be maintained in effective working order by the operator. In the State of California the above is required by law (Section 4442 of the California Public Resources Code). Other states may have similar laws. Federal laws apply on federal lands.

A spark arrester for the muffler is available through your nearest engine authorized service dealer or contact the service department, P.O. Box 361131 Cleveland, Ohio 44136-0019.

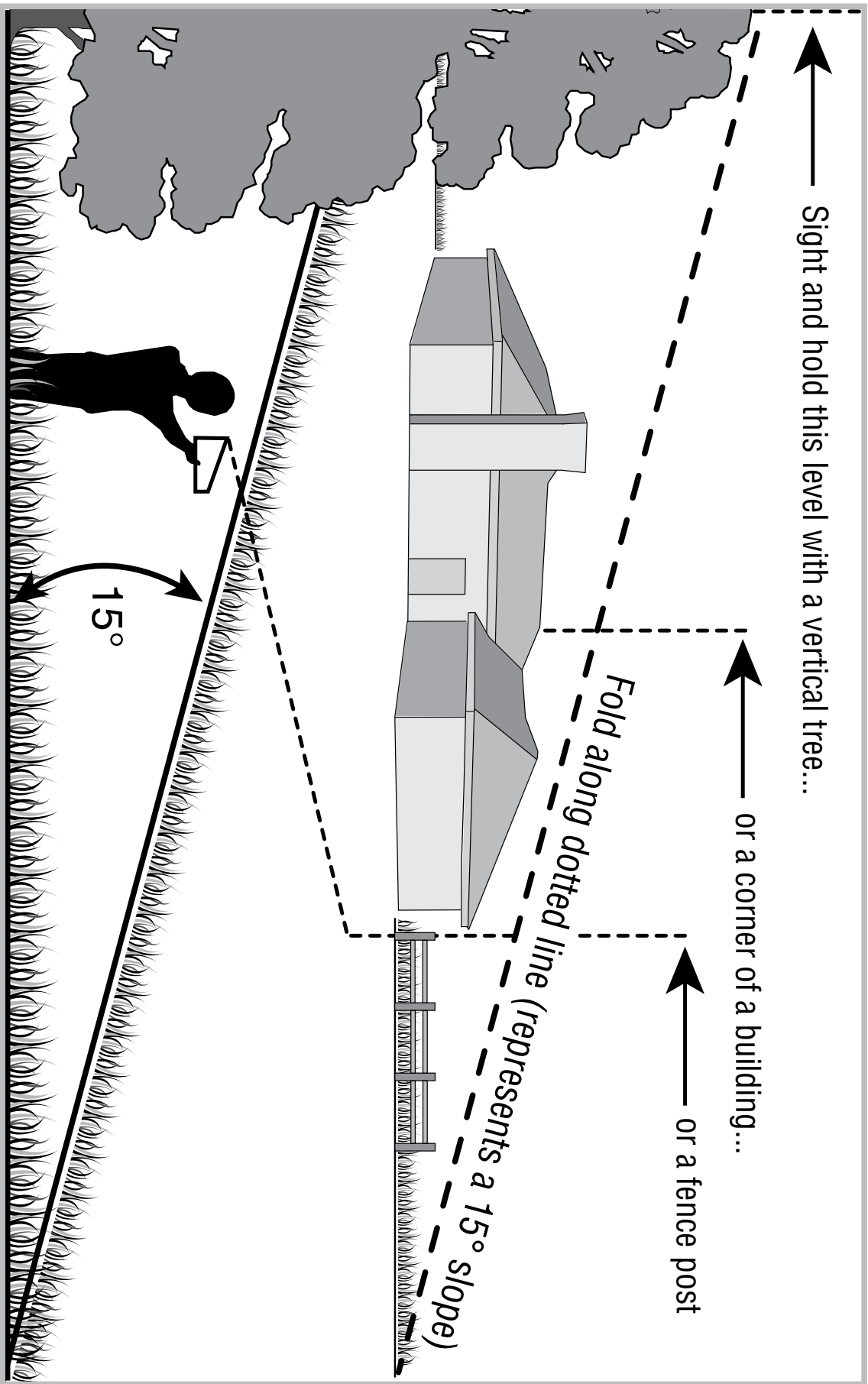
## Average Useful Life

According to the Consumer Products Safety Commission (CPSC) and the U.S. Environmental Protection Agency (EPA), this product has an *Average Useful Life* of seven (7) years, or 270 hours of operation. At the end of the *Average Useful Life*, buy a new machine or have the machine inspected annually by an authorized service dealer to ensure that all mechanical and safety systems are working properly and not worn excessively. Failure to do so can result in accidents, injuries or death.

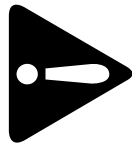


**WARNING:** Your Responsibility—Restrict the use of this power machine to persons who read, understand and follow the warnings and instructions in this manual and on the machine.

**SAVE THESE INSTRUCTIONS!**



Use this page as a guide to determine slopes where you may not operate safely.



**WARNING:** Do not operate your lawn mower on such slopes. Do not mow on inclines with a slope in excess of 15 degrees (a rise of approximately 2-1/2 feet every 10 feet). A riding mower could overturn and cause serious injury. Operate riding mowers up and down slopes, never across the face of slopes.

OPERATE RZT zero turn tractors across the face of slopes rather than up and down. Begin with the first pass across the bottom of the slope and turn uphill at the end of each pass whenever possible.

## Contents of Crate

- One Lawn Tractor
- One Oil Drain Tube
- One Deck Wash Hose Coupler
- One RZT Tractor Operator's Manual
- One Kohler Engine Operator's Manual
- One Product Registration Card

## TRACTOR PREPARATION

Remove the upper crating material from the shipping pallet, and cut any bands or tie straps securing the tractor to the pallet.

Use the lift handle to raise the deck to its highest position. Engage the transmission bypass rods on each side of the tractor; then carefully roll the tractor off the shipping pallet. Disengage the bypass rods. See Figure 3-1.

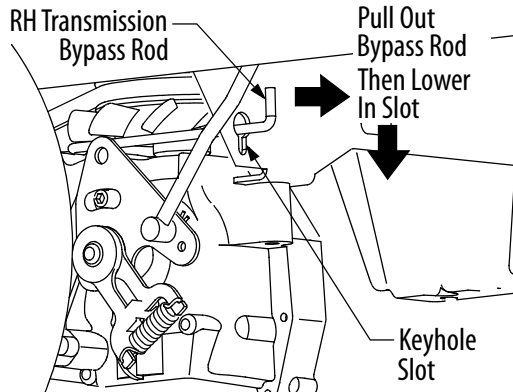


Figure 3-1

Remove the deck wash system nozzle adapter from the manual bag and store for future use.

## Install Operator's Seat

The operator's seat was partially inserted into the seat pivot bracket for shipping purposes. To install the seat proceed as follows:

1. Cut any straps securing the seat assembly and the drive control levers to the tractor. Remove any packing material.

**NOTE:** The seat is partially inserted into the slots of the seat pivot bracket. If the seat does not become disengaged from the pivot bracket when removing the packaging material, the pivot bracket may be pivoted upward and the seat pushed into place as described in step 6. If the seat does disengage the pivot bracket, install the seat as instructed in steps 2 thru 6.

2. Pivot the seat pivot bracket partially upward. Refer to Figure 3-2.
3. Note the grooves in the seat adjust spacers attached to the bottom of the seat, then lift the seat and position above and to the rear of the pivot bracket.

4. Align the grooves in the seat adjust spacers with the sides of the adjustment slots in the pivot bracket.
5. Slide the seat adjust spacers into the slots of the pivot bracket.
6. Continue to push the seat forward in the pivot bracket until the front/left shoulder bolt of the seat assembly passes forward of the stop bracket on the seat pivot bracket. See Figure 3-2.

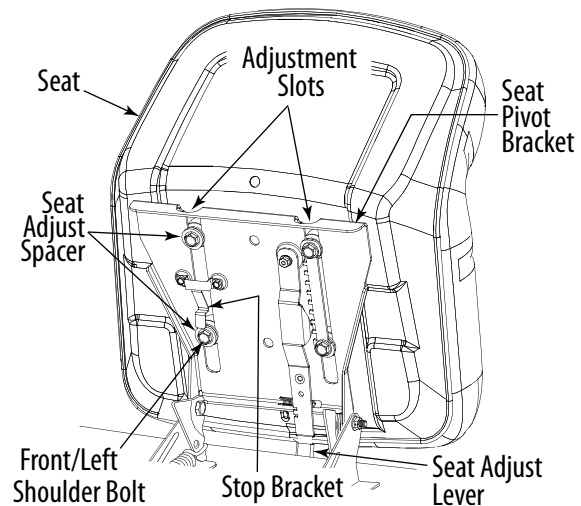


Figure 3-2

Refer to "Adjusting Operator's Seat" in Maintenance & Adjustments for seat adjustment instructions.

## Position Drive Control levers

The drive control levers of the tractor are lowered for shipping purposes. The flange lock nuts, hex screws, and flat washers that normally secure the control levers in their operating position are unfastened and installed in the slotted holes of the control levers for shipment. The control levers must be repositioned to operate the tractor. To reposition the control levers for operation, proceed as follows:

1. Remove the hex screw, flat washer, and flange lock nut from the slot of one of the drive control levers.
2. Lift and swing that control lever upward until the slotted hole in the lever bracket aligns with one of the holes in the pivot bracket. Refer to Figure 3-3.



- Slide the flat washer onto the hex screw. From the outside, insert the hex screw w/washer through the control lever slot and the hole of the pivot bracket. Secure with the flange lock nut. See Figure 3-3.

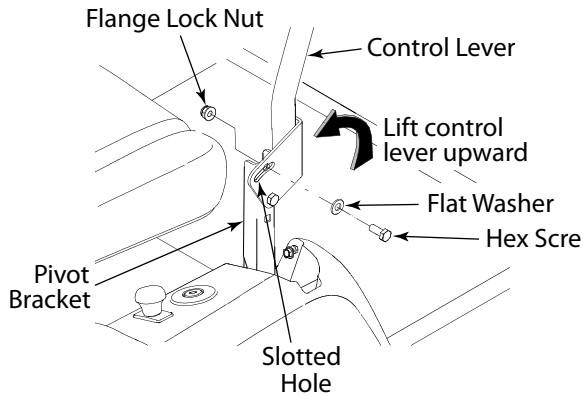


Figure 3-3

- Note the relative position of the control lever to the pivot bracket, then repeat the previous steps to reposition the other control lever in approximately the same position.
- Refer to "Adjusting Drive Control Levers" in Maintenance & Adjustments for instructions on final adjustment of the levers.

### Position Rear Bumper

For shipping purposes the rear bumper is rotated upward from its normal position. To reposition the rear bumper, refer to Figure 3 and proceed as follows:

- From inside the tractor frame, just behind the rear tires, remove the internal cotter pins from the clevis pins securing the bumper to each side of the frame.
- While supporting the rear bumper, cut the cable tie fastening the bumper to the engine lift bracket, and remove the clevis pins from each side. See Figure 3-4.

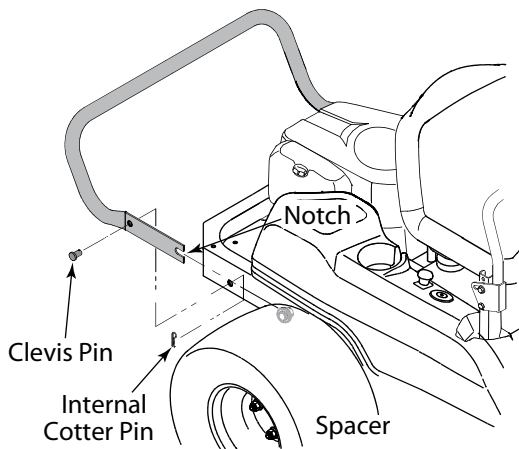


Figure 3-4

- Remove the bumper and reposition to align the notch at each end of the bumper with the spacer on each side of the frame. Slide the bumper notches onto the spacers. Refer to Figure 3-4.

### Connect the Battery



**WARNING!** Battery posts, terminals and related accessories contain lead and lead compounds. Wash hands after handling.

The tractor is shipped with an activated sealed battery, with the positive battery cable factory connected. The negative cable must be connected.

**NOTE:** Make sure the ignition switch is in the "OFF" position before attaching the battery cable.

- Pull the protective cap (if present) off the negative terminal of the battery, and remove the hex cap screw and nut from the free end of the negative battery cable.
- Connect the negative battery cable (heavy black) to negative terminal (NEG) of the battery using the hex cap screw and nut. Slide the black terminal cover over the negative terminal of the battery.

### Lower Deck Discharge Chute Deflector



**WARNING!** Never operate the mower deck without the chute deflector installed and in the down position.

Check the mower deck for a shipping brace (w/tag) that holds the chute deflector upward for shipment. If a brace is present, it must be removed before operating the tractor. Holding the chute deflector fully upward, remove the shipping brace by grasping it and rotating it clockwise. Lower the chute deflector. See Figure 3-5.

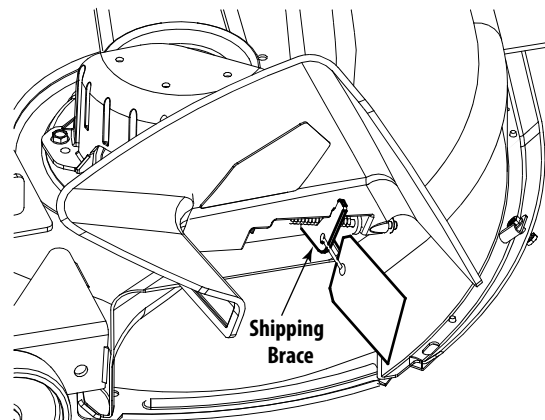


Figure 3-5

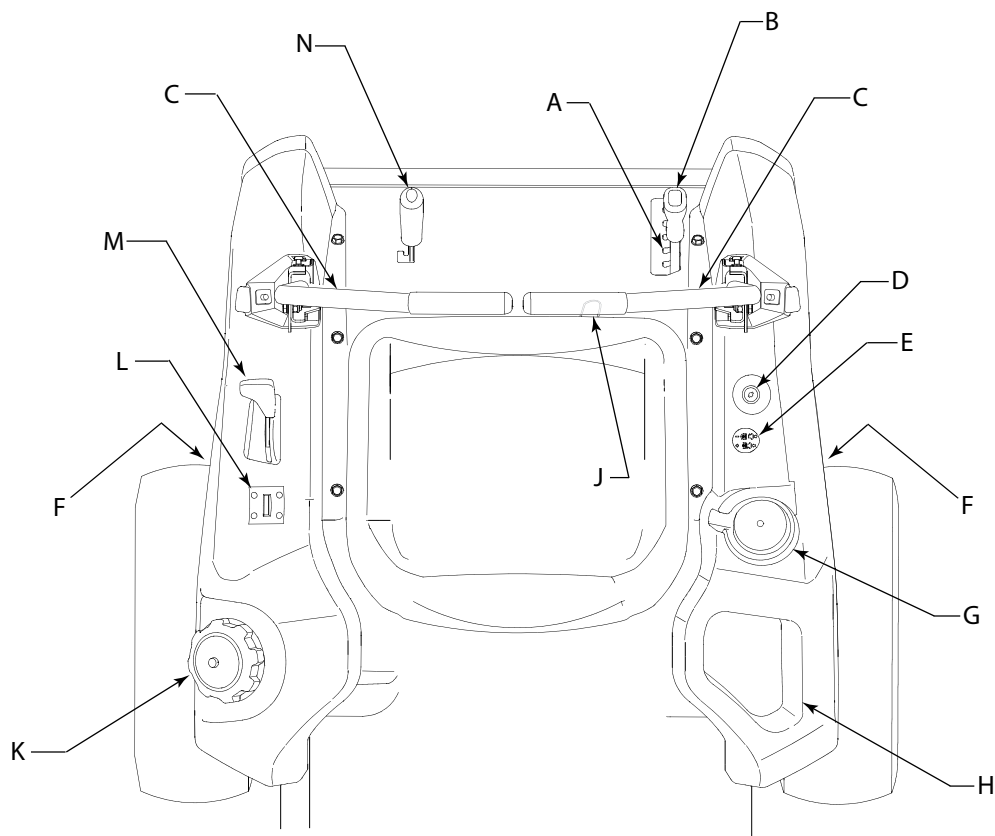


Figure 4-1

- A. Deck Height Index
- B. Deck Lift Handle
- C. RH and LH Drive Control Levers
- D. Ignition Switch
- E. PTO Switch
- F. Transmission Bypass Rod (Not Shown)
- G. Cup Holder
- H. Storage Tray
- J. Seat Adjustment Lever (Not Visible)
- K. Fuel Tank Cap
- L. Hour Meter/Indicator Panel
- M. Throttle Control
- N. Parking Brake Engagement Lever

**NOTE:** References to *LEFT*, *RIGHT*, *FRONT*, and *REAR* indicate that position on the tractor when facing forward while seated in the operator's seat.

## A. Deck Height Index

The deck height index consists of six index notches located on the front/right of the seat box frame. Each notch corresponds to a 1/2 inch change in the deck height position ranging from 1-1/2 inches at the lowest notch to 4 inches at the highest notch.

## B. Deck Lift Handle

The deck lift handle is located on the front/right of the seat box frame, and is used to raise and lower the mower deck.

Pull the handle to the left out of the index notch and push downward to lower the deck, or pull upward to raise the deck. When the desired height is attained, move the lift handle to the right until fully in the index notch.

## C. RH and LH Drive Control Levers

The RH and LH control levers are located on each side of the operator's seat. These hinged levers pivot outward to open space to permit the operator to either sit in the tractor seat, or to dismount the tractor. The levers must be fully opened out and in the neutral position to start the tractor engine.

Each lever controls the respective RH or LH transmission. Consequently, these levers control all of the movements of the tractor. Driving and steering utilizing these control levers is quite different from conventional tractors, and will take some practice to master. Refer to **“Operation”** for instructions on using the control levers.

### D. Ignition Switch

The ignition switch is located on the RH console to the right of the operator’s seat. The ignition switch has three positions as follows:

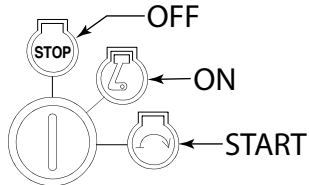


Figure 4-2

OFF - The engine and electrical system is turned off.

ON - The tractor electrical system is energized.

START - The starter motor will turn over the engine. Release the key immediately when the engine starts

**NOTE:** To prevent accidental starting and/or battery discharge, remove the key from the ignition switch when the tractor is not in use.

### E. Power Take-Off (PTO) Switch

The PTO switch is located on the RH console to the right of the operator’s seat.

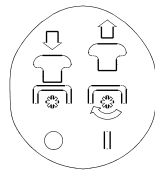


Figure 4-3

The PTO switch operates the electric PTO clutch mounted on the bottom of the engine crankshaft. Pull the switch knob upward to engage the PTO clutch, or push the knob downward to disengage the clutch.

The PTO switch must be in the “disengaged” position when starting the engine.

### F. Transmission Bypass Rods (Not Visible)

The transmission bypass rods (one for each the RH and LH transmission) are located beneath the frame platform, just inside each rear wheel.

When engaged, the two rods open a bypass within the hydrostatic transmissions, which allows the tractor to be pushed short distances by hand. Refer to **Maintenance & Adjustments** for instructions on using the bypass feature.



**CAUTION:** Never tow your tractor. Towing the tractor with the rear wheels on the ground may cause severe damage to the transmissions.

### G. Cup Holder

The cup holder is located toward the rear of the RH console to the right of the operator’s seat.

### H. Storage Tray

The storage tray is located at the rear of the RH console.

### J. Seat Adjustment Lever (Not Seen)

The seat adjustment lever is located below the right/front of the seat. The lever allows for adjustment of the fore to aft position of the operator’s seat. Refer to **Maintenance & Adjustments** for instructions on adjusting the seat position.

### K. Fuel Tank Cap

The fuel tank cap is located at the rear of the LH console. Turn the cap counterclockwise to unscrew and remove from the fuel tank. Always re-install the fuel cap tightly onto the fuel tank after removing.



**WARNING!:** Never fill the fuel tank when the engine is running. If the engine is hot from recently running, allow to cool for several minutes before refueling. Highly flammable gasoline could splash onto the engine and cause a fire.

### L. Hour Meter / Indicator Panel

The hour meter/indicator panel is located on the LH console to the left of the operator’s seat.

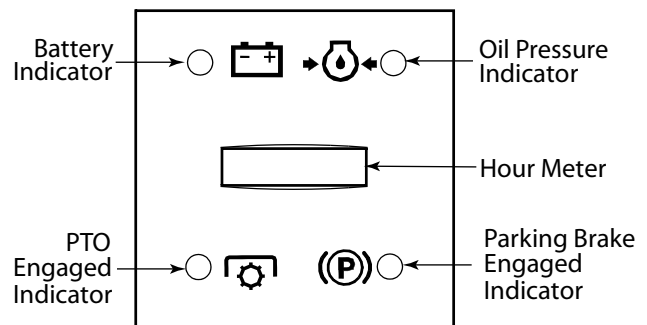


Figure 4-4

#### Hour Meter Features

The hour meter records the hours that the tractor has been operated in the digital display (tenths of an hour - right most digit).

**NOTE:** The hour meter is activated whenever the ignition switch is turned to the “ON” position. Record actual hours of operation to assure all maintenance is completed according to the instructions in this manual, and the engine manual.

When key is turned to the “ON” position, the battery indicator light briefly illuminates and the battery voltage is briefly displayed. The display then changes to the accumulated hours.

The Indicator Monitor will also remind the operator of maintenance intervals for changing the engine oil. The LCD will alternately flash, "CHG"; "OIL" and the recorded hours for five minutes after every 50 hours of recorded operation. The maintenance interval lasts for two hours (from 50-52, 100-102, 150-152, etc.). The LCD will flash as described for five minutes every time the tractor's engine is started during this maintenance interval. Follow the oil change intervals provided in the engine manual.

### Indicator Panel Features

#### **Battery Indicator (Refer to Figure 4-4)**

Illuminates and the battery voltage is displayed briefly when the ignition switch is turned to the "ON" position.

Illuminates to indicate the battery voltage has dropped below 11.5 (+0.5/-1.0) volts. The battery voltage is also displayed on the hour meter. If this indicator and display come on during operation, check the battery and charging system for possible causes and/or contact your Troy-Bilt dealer.

#### **Oil Pressure Indicator (Refer to Figure 4-4)**

This warning lamp indicates low engine oil pressure. If the indicator comes on while the engine is running, stop the engine immediately and check for possible causes. Do not run the engine while this indicator is illuminated. Contact your Troy-Bilt dealer to have the tractor and engine inspected.

**NOTE:** The oil pressure indicator may illuminate when the ignition switch is in the ON position, but should turn off when the engine is started.

#### **PTO Engaged Indicator (Refer to Figure 4-4)**

This indicator illuminates when the PTO switch is pulled upward in the "ENGAGED" position and the ignition switch is turned to the "START" position. Check this indicator if the engine will not crank with the ignition switch in the "START" position. If necessary, move the PTO switch to the "DISENGAGED" position.

#### **Parking Brake Engaged Indicator (Refer to Figure 4-4)**

This indicator illuminates when the parking brake is in the DISENGAGED position and the ignition switch is turned to the "START" position. Check this indicator if the engine will not crank with the ignition switch in the "START" position. If necessary, move the parking brake to the ENGAGED position.

This indicator also illuminates when the ignition switch is turned to the "START" position and the RH and/or LH drive control levers are in a position other than the fully out in neutral position. Move the control levers fully outward.

### M. Throttle Control

The throttle control is located on the LH console to the left of the operator's seat. When set in a given position, a uniform engine speed will be maintained. Refer to Figure 4-5.

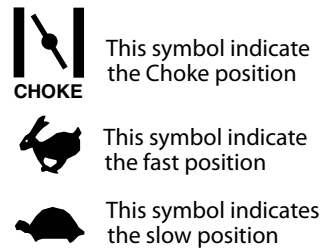


Figure 4-5

- Push the throttle control handle forward to increase the engine speed. The tractor is designed to operate with the throttle control in the fast position (full throttle) when the tractor is being driven and the mower deck is engaged.
- Pull the throttle control handle rearward to decrease the engine speed.
- When starting the engine, push the control handle fully forward into the "CHOKE" position. Refer to Figure 4-5. After starting and warming the engine, move the control handle rearward until you feel it move past the choke detent..

### O. Parking Brake Engagement Lever

The parking brake engagement lever is located on the front/left of the seat box frame, and is used to engage the parking brake.

Pull the lever fully upward and to the left; then lower into the short "J" slot to engage the brake.

Pull the lever up out of the "J" slot and to the right; then lower completely to disengage the parking brake.

**IMPORTANT:** If the LH and RH drive control levers are not fully opened out in the neutral position when engaging the parking brake, the engine will stop. The parking brake must be placed in the engaged position when starting the tractor engine.

### Rear Bumper (Not Shown)

The tractor is equipped with a removable rear bumper. The rear bumper provides protection to the rear of the tractor frame and engine during turns.

The rear bumper must be removed from the tractor when installing a Rear Bagger Kit. Or you may want to remove the bumper to reduce the over-all length of the tractor. To Remove the rear bumper, proceed as follows:

- From the inside surface of the tractor frame, just rearward of the rear tire on either side of the tractor, pull the internal cotter pin from the clevis pin. Move to the other side of the tractor and remove the internal cotter pin from the other clevis pin. Refer to Figure 3-4 if necessary.
- While supporting the rear bumper, withdraw the clevis pin from both sides of the bumper, and pull the rear bumper rearward off of the tractor frame.

## General Safety

- RECEIVE INSTRUCTION - Entirely read this operator's manual. Learn to operate this machine SAFELY. Do not risk INJURY or DEATH. Allow only those who have become competent in its usage to operate this tractor.
- Before starting the engine or beginning operation, be familiar with the controls. The operator should be in the operator's seat. The PTO switch must be in the disengaged position, the parking brake engaged, and the RH and LH drive control levers moved fully outward in the neutral position.
- Keep all shields in place. Keep away from moving parts.
- NO RIDERS! Keep all people and pets a safe distance away. Look behind and down to both sides of the tractor before and while backing up.
- DO NOT direct the mower discharge at people.
- Avoid slopes where possible. Never operate on slopes greater than 15°. Slopes with a greater incline present dangerous operating conditions. Tractors can be rolled over.
- Before leaving the operator's seat: Shut off the PTO, move the RH and LH drive control levers fully outward in the neutral position, engage the parking brake, shut off the engine and remove the ignition key. Wait for all movement to stop before servicing or cleaning.
- Operate the drive control levers smoothly and avoid any sudden movements of the levers when starting and stopping. Keep a firm grip on the control levers; do not allow the levers to return to neutral on their own.
- Be careful when operating near roadways. Stop the tractor motion and wait for vehicles to pass before operating along the road.
- Do not operate the tractor with the mower deck removed. Removal of the deck will change the balance of the tractor, and could contribute to a tractor rollover.
- Avoid operation on traction surfaces that are unstable; use extreme caution if the surface is slippery.
- Slow down before turning and come to a complete stop before any zero turn maneuver.
- Do not stop the tractor or park the tractor over combustible materials such as dry grass, leaves, debris, etc.
- Do not fill the fuel tank when the engine is running or while the engine is hot. Allow the engine several minutes to cool before refueling. Tighten the fuel cap securely.

## Before Operating Your Tractor

- Before you operate the tractor, study this manual carefully to familiarize yourself with the operation of all the instruments and controls. It has been prepared to help you operate and maintain your tractor efficiently.
- This engine is certified to operate only on clean, fresh, unleaded regular gasoline. For best results, fill the fuel tank with only clean, fresh, unleaded gasoline with a pump sticker octane rating of 87 or higher.
- Unleaded gasoline is recommended because it leaves less combustion chamber deposits and reduces harmful exhaust emissions. Leaded gasoline is not recommended and must not be used where exhaust emissions are regulated.

**NOTE:** Purchase gasoline in small quantities. Do not use gasoline left over from the previous season, to minimize gum deposits in the fuel system.

- Gasohol (up to 10% ethyl alcohol, 90% unleaded gasoline by volume) is an approved fuel. Other gasoline/alcohol blends are not approved.
- Methyl Tertiary Butyl Ether (MTBE) and unleaded gasoline blends (up to a maximum of 15% MTBE by volume) are approved fuels. Other gasoline/ether blends are not approved.
- Check the engine oil level.
- Clean the air cleaner element if necessary. Refer to engine manual.
- Check the tire inflation pressures.
- Adjust the seat for operator's maximum comfort, visibility and for maintaining complete control of the tractor.

## Safety Interlock System

This tractor is equipped with a safety interlock system for the protection of the operator. If the interlock system should ever malfunction, do not operate the tractor. Contact your authorized Troy-Bilt Service Dealer.

- The safety interlock system prevents the engine from cranking or starting unless the RH and LH drive control levers are moved fully outward in the neutral position, the parking brake is engaged, and the PTO is disengaged.
- To avoid sudden movement when disengaging the parking brake, the safety interlock system will shut off the engine if the RH and/or LH drive control levers are moved to a position other than the fully out in the neutral position when the parking brake is engaged.

- The safety interlock system will shut off the engine if the operator leaves the seat before engaging the parking brake.
- The safety interlock system will shut off the engine if the operator leaves the seat with the PTO engaged, regardless of whether the parking brake is engaged.  
**NOTE:** *The PTO switch must be moved to the "OFF" position to restart the engine.*
- The safety interlock system will shut off the PTO and the mower blades will stop if both drive control levers are moved into the reverse position. The PTO will re-engage when one or both of the levers are moved back to the neutral or forward position.

## Starting the Engine



**WARNING!** This unit is equipped with a safety interlock system designed for the protection of the operator. Do not operate the tractor if any part of the interlock system is malfunctioning. Periodically check the functions of the interlock system for proper operation.



**WARNING!** For personal safety, the operator must be sitting in the tractor seat when starting the engine.

- Operator must be sitting in the tractor seat.
- Engage the parking brake. Refer to Figure 5-1.
- Make certain the PTO switch is in the disengaged (down) position. Refer to Figure 5-1.
- Move the throttle control lever fully forward into the "CHOKE" position. **NOTE:** *If the engine is warmed up, it may not be necessary to place the throttle control in the choke position.*

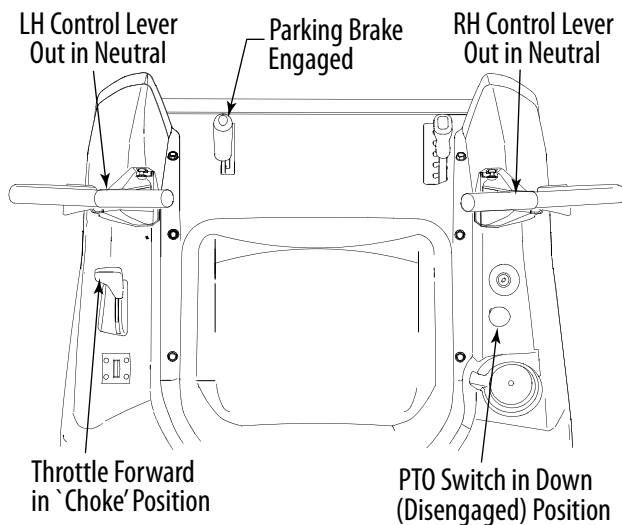


Figure 5-1

- Turn the ignition key clockwise to the "START" position and release it as soon as the engine starts; however, do not crank the engine continuously for more than 5 seconds at a time. If the engine does not start within this time, turn the key to "OFF" and wait at least 15 seconds to allow the engine's starter motor to cool. Try again after waiting. If after a few attempts the engine fails to start, do not keep trying to start it with the choke closed as this will cause flooding and make starting more difficult.
- As the engine warms up, gradually pull the throttle control lever rearward past the choke detent position. Do not use the choke position to enrich the fuel mixture, except as necessary to start the engine.
- Allow the engine to run for a few minutes at mid throttle before putting the engine under load.
- Observe the hour meter / indicator panel. If the battery indicator light or oil pressure light come on, immediately stop the engine. Have the tractor inspected by your Troy-Bilt Service dealer.

## Cold Weather Starting

When starting the engine at temperatures near or below freezing, ensure the correct viscosity motor oil is used in the engine and the battery is fully charged. Start the engine as follows:

- Be sure the battery is in good condition. A warm battery has much more starting capacity than a cold battery.
- Use fresh winter grade fuel. Winter grade gasoline has higher volatility to improve starting. Do not use gasoline left over from summer.
- Follow the previous instruction for STARTING THE ENGINE.

## Using Jumper Cables To Start Engine



**WARNING!** Batteries contain sulfuric acid and produce explosive gasses. Make certain the area is well ventilated, wear gloves and eye protection, and avoid sparks or flames near the battery.

If the battery charge is not sufficient to crank the engine, recharge the battery. If a battery charger is unavailable and the tractor must be started, the aid of a booster battery will be necessary. Connect the booster battery as follows:

- Connect the end of one cable to the disabled tractor battery's positive terminal; then connect the other end of that cable to the booster battery's positive terminal.
- Connect one end of the other cable to the booster battery's negative terminal; then connect the other end of that cable to the frame of the disabled tractor, as far from the battery as possible.

- Start the disabled tractor following the normal starting instructions previously provided; then disconnect the jumper cables in the exact reverse order of their connection.
- Have the tractor's electrical system checked and repaired as soon as possible to eliminate the need for jump starting.

## Stopping the Engine

- Place the PTO switch in the "OFF" position.
- Move the RH and LH drive control levers fully outward in the neutral position.
- Engage the parking brake.
- Move the throttle control between the half and full throttle positions, and turn the ignition key to the "OFF" position.
- Remove the key from the ignition switch.

**NOTE:** Always remove the key from the ignition switch to prevent accidental starting or battery discharge if the equipment is left unattended.

## Practice Operation (Initial Use)

Operating a zero-turn tractor is not like operating a conventional type riding tractor. Although and because a zero turn tractor is more maneuverable, getting used to operating the control levers takes some practice.

We strongly recommend that you locate a reasonably large, level and open "practice area" where there are no obstructions, pedestrians, or animals. You should practice operating the tractor for a minimum of 30 minutes.

Carefully move (or have moved) the tractor to the practice area. When performing the practice session, the PTO should not be engaged. While practicing, operate the tractor at approximately 1/2-3/4 throttle and at less than full speed in both forward and reverse.

Carefully practice maneuvering the tractor using the instructions in the following section "Driving the Tractor." Practice until you are confident that you can safely operate the tractor.

## Driving the Tractor



**WARNING!:** Avoid sudden starts, excessive speed and sudden stops.

- Adjust the operator's seat to the most comfortable position that allows you to operate the controls. See seat adjustment in the ADJUSTMENTS section.
- Release the parking brake.
- Move the RH and LH drive control levers inward in the neutral position. Refer to Figure 5-2.

**NOTE:** If the control levers are not even in the neutral position, refer to **Maintenance & Adjustments** for instructions to adjust the levers so that they are even.

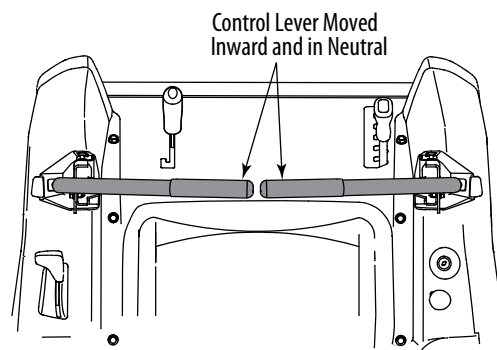


Figure 5-2

- Move the throttle control lever forward to the full throttle position (3500-3600 RPM). **NOTE:** Although the tractor's engine is designed to run at full throttle, when performing a practice session the tractor must be operated at less than full throttle (approximately 2500-3000 RPM). This only applies to practice.



**WARNING!:** Always maintain a firm grip on the control levers. DO NOT release the control levers to slow or stop the tractor; move levers to neutral position using your hands.

- To drive the tractor, firmly grasp the respective drive control levers with your right and left hands and proceed as instructed in the following sub section.

## Driving the Tractor Forward



**WARNING!:** Keep all movement of the drive control levers slow and smooth. Abrupt movement of the control levers can affect the stability of the tractor and could cause the tractor to flip over, which may result in serious injury or death to the operator.

- Slowly and evenly move both drive control levers forward. The tractor will start to move forward. See Figure 5-3.

## DRIVING FORWARD

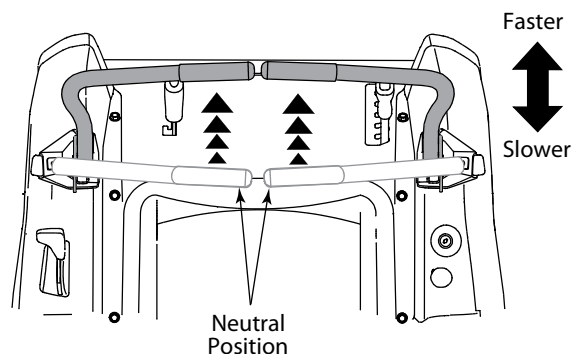


Figure 5-3

- As the control levers are pushed farther forward the speed of the tractor will increase.
- To slow the tractor move the controls lever rearward to attain the desired speed, or move the levers to the neutral position to stop the tractor.

**IMPORTANT:** Always maintain your grasp on the drive control levers. Do not release the levers to slow the tractor or to return to neutral.

### Turning the Tractor While Driving Forward



**WARNING!** When reversing the direction of travel, we recommend performing gradual 'U' turns where possible. Sharper turns increase the possibility of turf defacement, and could affect control of the tractor. ALWAYS slow the tractor before making sharp turns.

To turn the tractor while driving forward, move the control levers as necessary so that one lever is rearward of the other. The tractor will turn in the direction of the rearward control lever.

- To turn to the left, move the left drive control lever rearward of the right lever. See Figure 5-4.

#### FORWARD LEFT TURN

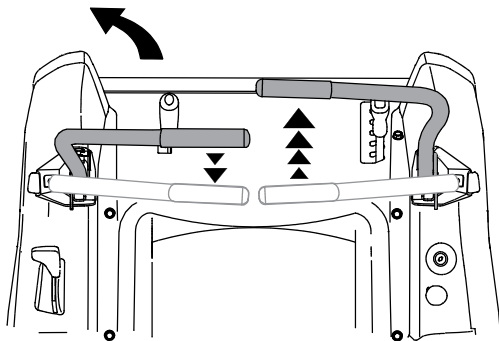


Figure 5-4

- To turn to the right, move the right drive control lever rearward of the left lever. See Figure 5-5.

#### FORWARD RIGHT TURN

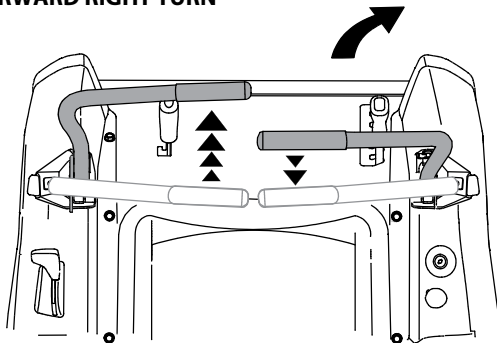


Figure 5-5

- The greater the fore-to-aft distance between the two levers, the sharper the tractor will turn.
- To execute a "pivot turn," move the turn side drive control lever to the neutral position, while moving the other control lever forward.

**IMPORTANT:** Making a "pivot turn" on grass will greatly increase the potential for defacement of the turf.

### Driving the Tractor In Reverse



**WARNING!** Always look behind and down on both sides of the tractor before backing up. Always look behind while traveling in the reverse direction.

- Slowly and evenly move both drive control levers rearward. The tractor will start to move in the reverse direction. See Figure 5-6.

#### DRIVING REARWARD

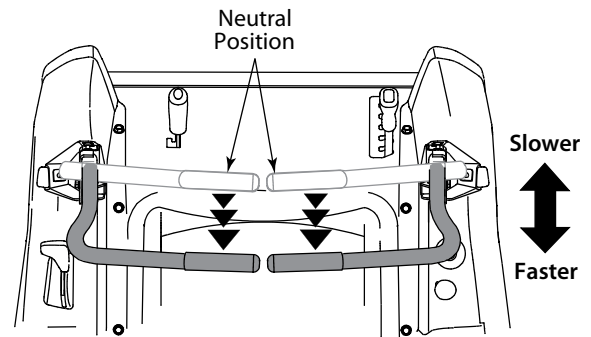


Figure 5-6

- As the control levers are pushed farther rearward the speed of the tractor will increase.
- To slow the tractor move the controls lever forward to attain the desired speed, or move the levers to the neutral position to stop the tractor.

### Turning While Driving Rearward

To turn the tractor while driving rearward, move the control levers as necessary so that one lever is forward of the other. The tractor will turn in the direction of the forward control lever.

- To turn to the left while traveling in reverse, move the left drive control lever forward of the right lever. See Figure 5-7.

#### REARWARD LEFT TURN

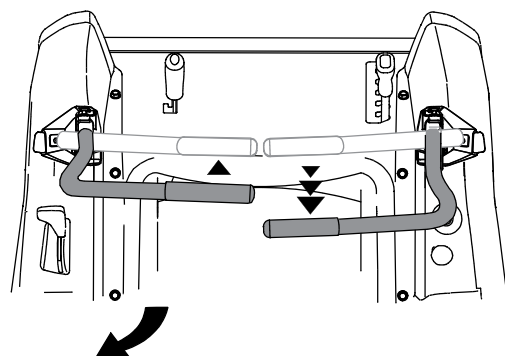


Figure 5-7



- To turn to the right while traveling in reverse, move the right drive control lever forward of the left lever. See Figure 5-8.

#### REARWARD RIGHT TURN

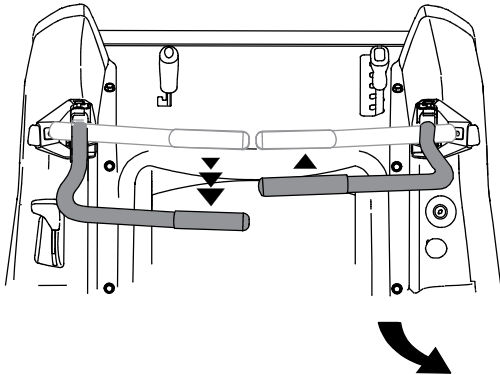


Figure 5-8

- The greater the fore-to-aft distance between the two levers, the sharper the tractor will turn.
- To execute a “pivot turn,” move the turn side drive control lever to the neutral position, while moving the other control lever rearward.

**IMPORTANT:** Making a “pivot turn” on grass will greatly increase the potential for defacement of the turf.

#### Executing a Zero Turn



**WARNING!** When executing a zero turn, the tractor **MUST BE STOPPED**. Executing a zero turn while the tractor is moving can significantly reduce your control of the tractor and will cause severe turf defacement to occur.

- Stop the forward or reverse motion of the tractor by moving the two drive control levers to neutral.
- To turn clockwise, move the left control lever forward while simultaneously moving the right control lever rearward. See Figure 5-9.

#### CLOCKWISE ZERO TURN

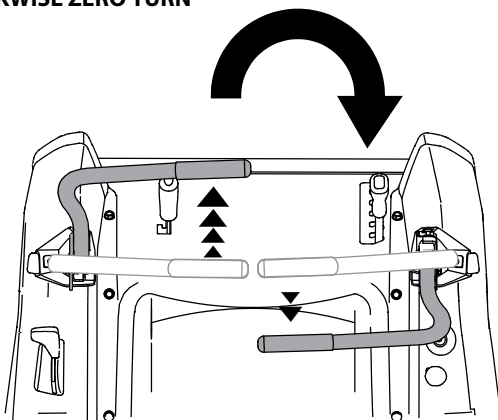


Figure 5-9

- To turn counterclockwise, move the right control lever forward while simultaneously moving the left control lever rearward. See Figure 5-10.

#### COUNTERCLOCKWISE ZERO TURN

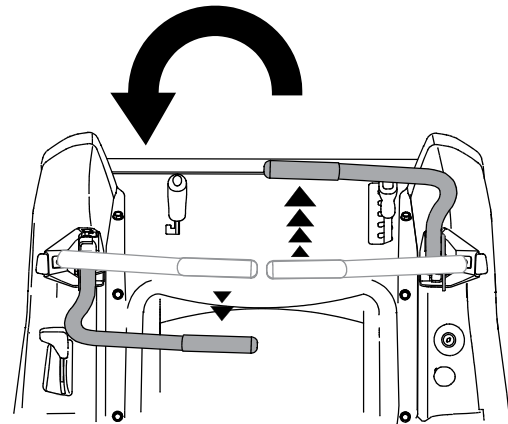


Figure 5-10

#### Stopping the Tractor

- Move both drive control levers to the neutral position to stop the motion of the tractor.
- Push the PTO switch downward to the disengaged position.
- Use the deck lift handle to raise the deck to its highest position.
- If dismounting the tractor, move the drive control handles fully outward in the neutral position, engage the parking brake, move the throttle control lever to the fast position, turn the ignition switch to “OFF” and remove the key from the switch.



**WARNING:** Do not leave the seat of the tractor without disengaging the PTO, moving drive control levers fully outward in the neutral position, and engaging the parking brake. If leaving the tractor unattended, turn the ignition key off and remove key.

#### Driving On Slopes

Refer to the SLOPE GAUGE on page 7 to help determine slopes where you may not operate safely.



**WARNING!** Do not operate on inclines with a slope in excess of 15 degrees (a rise of approximately 2-1/2 feet every 10 feet). The tractor could overturn and cause serious injury.

- Always drive across slopes, never up and down. Control the speed and direction of the tractor using primarily the control lever on the downhill side of the tractor, with the uphill control lever remaining essentially in a fixed position.
- Avoid turning downhill if possible. Start at the bottom of a slope and work upward. Always slow down before turning.
- Use extra care and go slowly when turning downhill.

## Operating The PTO

Operate the PTO clutch as follows:

- Move the throttle control lever to approximately the mid throttle position.
- Pull the PTO switch upward to the “ENGAGED” position.
- Advance the throttle lever to the operating speed (full engine speed).
- The operator must remain in the tractor seat at all times. If the operator should leave the seat without turning off the power take-off switch, the tractor’s engine will shut off.
- The PTO clutch cannot be operated when the tractor is driving in the reverse direction. The PTO will disengage when both drive control levers are moved to the reverse position, and will re-engage when one (or both) control lever(s) is moved to the neutral or forward position.

## Using the Mower Deck



**WARNING!:** Make certain the area to be mowed is free of debris, sticks, stones, wire or other objects that can be thrown by the rotating blades.

**IMPORTANT:** Do not engage the mower deck when lowered in grass. Premature wear and possible failure of the “V” belt and PTO clutch will result. Fully raise the deck or move to a non grassy area before engaging the mower deck.

- Mow across slopes, not up and down. If mowing a slope, start at bottom and work upward to ensure turns are made uphill.
- On the first pass pick a point on the opposite side of the area to be mowed.
- Engage the PTO clutch using the PTO switch and move the throttle control to the fast position.
- Lower the mower deck to the desired height setting using the lift handle.
- Slowly and evenly push the RH and LH drive control levers forward to move the tractor forward, and keep the tractor headed directly toward the alignment point.  
**NOTE:** The speed of the tractor will affect the quality of the mower cut. Mowing at full speed will adversely affect the cut quality. Control the ground speed with the control levers.
- When approaching the other end of the strip, slow down or stop before turning. A U-turn is recommended unless a pivot or zero turn is required.
- Align the mower with an edge of the mowed strip and overlap approximately 3 inches.
- Direct the tractor on each subsequent strip to align with a previously cut strip.
- To prevent rutting or grooving of the turf, if possible, change the direction that the strips are mowed by approximately 45° for the next and each subsequent mowing.



**WARNING!:** Be careful when crossing gravel paths or driveways. Disengage the PTO and raise the deck to the highest position before crossing.

**IMPORTANT:** When stopping the tractor for any reason while on a grass surface, always:

- Place the shift lever in neutral,
- Engage the parking brake,
- Shut engine off and remove the key.
- Doing so will minimize the possibility of having your lawn “brownd” by hot exhaust from your tractor’s running engine.

## Checking the Safety Interlock Circuits

Periodically check the safety interlock circuits to ensure they are working properly. If a safety circuit is not working as designed, contact your Troy-Bilt Service dealer to have the tractor inspected. DO NOT operate the tractor if any safety circuit is not functioning properly. To check the safety circuits, proceed as follows:

- Sitting in the tractor seat with both drive control levers opened fully outward, disengage the parking brake and momentarily turn the ignition switch to the start position. The engine should not crank.
- Engage the parking brake and pull the PTO switch upward to the engaged position. Momentarily turn the ignition switch to the start position; the engine should not crank.
- Push the PTO switch downward to the disengaged position and engage the parking brake. Start the engine and move one of the drive control levers from the fully outward neutral position. The engine should stop running. Repeat the procedure with the opposite control lever.
- Move both control levers fully outward in the neutral position and disengage the parking brake; then lift upward from the operator’s seat. The engine should stop.
- With both control levers fully outward in the neutral position and the parking brake engaged, engage the PTO. Lift upward from the operator’s seat; the engine should stop.
- Start the tractor, disengage the parking brake, and move the control levers inward to the neutral operating position. Engage the PTO and move both control lever slowly into the slow reverse position; the PTO should disengage and the mower deck should stop until one or both of the control levers is moved to the neutral or forward position.

## Maintenance



**WARNING!** Before performing any maintenance or repairs, disengage the PTO, move the drive control levers fully outward in the neutral position, engage the parking brake, stop the engine and remove the key to prevent unintended starting.

## Engine

Refer to the Kohler Owner's Manual for all engine maintenance intervals, procedures, specifications and instructions.

## Changing the Engine Oil



**WARNING!** If the engine has been recently run, the engine, muffler and surrounding metal surfaces will be hot and can cause burns to the skin. Exercise caution to avoid burns.

To complete an oil change, proceed as follows:

1. Run the engine for a short time to warm the engine oil. The oil will flow more freely and carry away more impurities. Use care to avoid burns from hot oil.
2. Locate the oil drain port on the right side of the engine.
3. Pop open the protective cap on the end of the oil drain valve to expose the drain port. Refer to Figure 6-1. Remove the oil fill cap/dipstick from the oil fill tube.
4. Push the oil drain hose (packed with this manual) onto the oil drain port. Route the opposite end of the hose into an appropriate oil collection container with at least a 2.0 quart capacity, to collect the used oil.
5. Pinch the tabs on the oil drain valve, then pull outward to begin draining oil. See Fig 6-1..

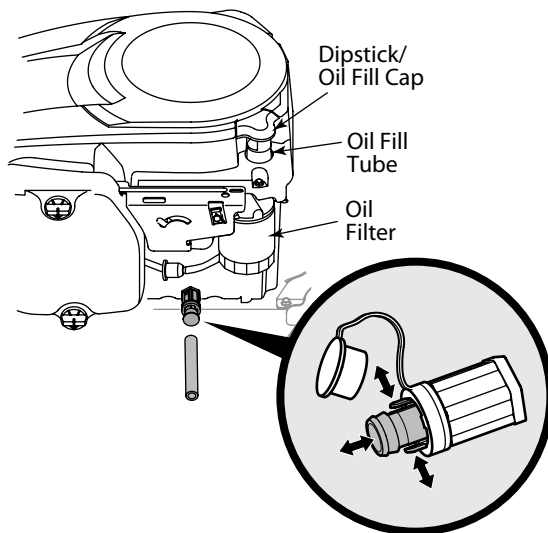


Figure 6-1

6. After the oil has finished draining, push the end of the oil drain valve back in, until the tabs click into place. Re-cap the end of the oil drain valve to keep debris from entering the drain port.
7. Replace the oil filter, and refill the engine with new oil as instructed in the Kohler Owner's Manual.

## Air Cleaner

Service the pre-cleaner and cartridge/air cleaner element as instructed in the Kohler Owner's Manual.

## Spark Plug

The spark plugs should be cleaned and the gap reset once a season. Refer to the Kohler Owner's Manual for correct plug type and gap specifications.

## Hydrostatic Transmission

The zero turn tractor is equipped with dual integrated hydrostatic pumps/transaxles that are sealed and are maintenance-free. Fluid levels cannot be checked and fluid cannot be added or changed.

## General Battery Information



### WARNING!

- Should battery acid accidentally splatter into the eyes or onto the skin, rinse the affected area immediately with clean cold water. If there is any further discomfort, seek prompt medical attention.
- If acid spills on clothing, first dilute it with clean water, then neutralize with a solution of ammonia/water or baking soda/water.
- NEVER connect (or disconnect) battery charger clips to the battery while the charger is turned on, as it can cause sparks.
- Keep all sources of ignition (cigarettes, matches, lighters) away from the battery. The gas generated during charging can be combustible.
- As a further precaution, only charge the battery in a well ventilated area.
- Always shield eyes and protect skin and clothing when working near batteries.
- Batteries contain sulfuric acid and may emit explosive gases. Use extreme caution when handling batteries. Keep batteries out of the reach of children.

## Battery Maintenance

- The battery is filled with battery acid and then sealed at the factory. However, even a “maintenance free” battery requires some maintenance to ensure its proper life cycle.
- Spray the terminals and exposed wire with a battery terminal sealer, or coat the terminals with a thin coat of grease or petroleum jelly, to protect against corrosion.
- Always keep the battery cables and terminals clean and free of corrosion.
- Avoid tipping. Even a sealed battery will leak electrolyte when tipped.



**WARNING!** Batteries contain sulfuric acid and may emit explosive gases. Use extreme caution when handling batteries. Keep batteries out of the reach of children.

## Tire Maintenance

Check the tire air pressure after every 50 hours of operation or weekly. Keep the tires inflated to the recommended pressures. Improper inflation will shorten the tire service life. See the tire side wall for proper inflation pressures. Observe the following guidelines:

- Do not inflate a tire above the maximum pressure shown on the sidewall of the tire.
- Do not reinflate a tire that has been run flat or seriously under inflated. Have a qualified tire mechanic inspect and service the tire.

## Lubrication

- Using a pressure lubricating gun, lubricate the front castor wheel axles and the front pivot axle with No. 2 multipurpose lithium grease after every 10 hours of service.
- Periodically lubricate all other pivot points with a quality lubricating oil.

### Using the Deck Wash System



**WARNING!** When using the deck wash system, never engage the deck from any position other than the operator’s seat of the tractor. Do not use an assistant or engage deck in the presence of any bystanders.

- Attach the nozzle adapter to a standard garden hose connected to a water supply.
- Move the tractor to an area within reach of the hose where the dispersal of wet grass clippings is not objectionable to you. Disengage the PTO, engage the parking brake, and stop the engine.

- Pull back the lock collar of the nozzle adapter and push the adapter onto the deck wash nozzle at the left end of the mower deck. Release the lock collar to lock the adapter on the nozzle. Refer to Figure 6-2.

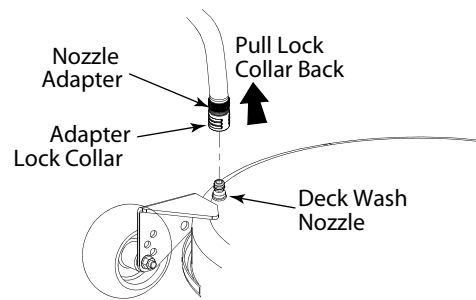


Figure 6-2

- Turn on the water supply.
- From the tractor operator’s seat, start the engine and engage the PTO. Allow to run as needed. Disengage the PTO and stop the engine.
- Turn off the water supply.
- Pull back the lock collar of the nozzle adapter to disconnect the adapter from the nozzle.

## Cleaning the Spindle Pulleys

Once a month remove the belt covers to remove any accumulation of grass clippings from around the spindle pulleys and V-belt. Clean more often when mowing tall, dry grass.

## Using the Transmission Bypass Rods

If for any reason the tractor will not drive or you wish to move the tractor, the two hydrostatic transmissions are equipped with a bypass rod that will allow you to manually move the tractor short distances.



**WARNING!** Do not tow the tractor, even with the bypass rod engaged. Serious transmission damage will result from doing so.

- From just in front of the two rear tires, locate the transmission bypass rods. Refer to Figure 6-3.
- Pull one rod toward the front of the tractor until the flange on the rod is forward of the keyhole slot in the frame assembly.
- Lower the bypass rod into the keyhole slot and release so the rod flange is against the front of the frame bracket.

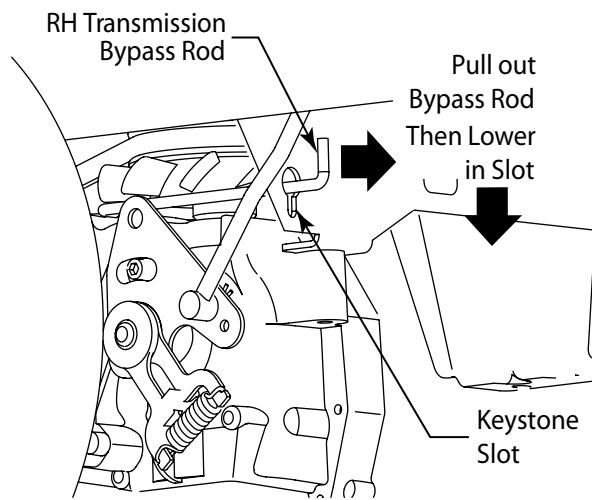


Figure 6-3

- Repeat the above procedure to engage the other bypass rod on the other side of the tractor.
- After moving the tractor, disengage both bypass rods. Lift the rod and guide the flange of the rod back through the larger circular opening of the keyhole, then release the rod.

**IMPORTANT:** The tractor will not drive with the bypass rods in the engage position.

### Battery Storage

- When storing the tractor for extended periods, disconnect the negative battery cable. It is not necessary to remove the battery.
- All batteries discharge during storage. Keep the exterior of the battery clean, especially the top. A dirty battery will discharge more rapidly.
- The battery must be stored with a full charge. A discharged battery can freeze sooner than a charged battery. A fully charged battery will store longer in cold temperatures than hot.
- Recharge the battery before returning to service. Although the tractor may start, the engine charging system may not fully recharge the battery.

### Tractor Storage

If your tractor is not going to be operated for an extended period of time (thirty days to approximately six months), the tractor should be prepared for storage. Store the tractor in a dry and protected location. If stored outside, cover the tractor (including the tires) to protect it from the elements. The procedures outlined below should be performed whenever the tractor is placed in storage.

1. Change the engine oil and filter following the instructions provided in the engine manual packed with this manual.



**WARNING!** Never store the tractor with fuel in the tank indoors or in poorly ventilated enclosures, where fuel fumes may reach an open flame, spark or pilot light as on a furnace, water heater, clothes dryer, etc.

2. If storing the tractor for 30 days or more: To prevent gum deposits from forming inside the engine's carburetor and causing possible malfunction of the engine, the fuel system must be either completely emptied, or the gasoline must be treated with a stabilizer to prevent deterioration.



**WARNING!** Fuel left in the fuel tank deteriorates and will cause serious starting problems.

### Using a fuel stabilizer:

- Read the product manufacturer's instructions and recommendations.
- Add to clean, fresh gasoline the correct amount of stabilizer for the capacity (approximately 3 gallons) of the fuel system.
- Fill the fuel tank with treated fuel and run the engine for 2-3 minutes to get stabilized fuel into the carburetor.

### Emptying the fuel system:

- Prior to putting the tractor in storage, monitor fuel consumption with the goal of running the fuel tank empty.
- Run the engine until it begins to stall. Use the choke to keep the engine running until all fuel in the carburetor has been exhausted.
- Referring to the engine manual, drain the fuel from the carburetor bowl.

3. Clean the engine and the entire tractor thoroughly.
4. Fully charge the battery, then disconnect the negative cable at the battery to prevent possible discharge. Recharge the battery periodically when in storage. **NOTE:** Remove the battery if exposed to prolonged periods of sub-freezing temperatures. Store in a cool, dry location where temperatures are above freezing.

5. Lubricate all lubrication points.

**NOTE:** We do not recommend the use of a pressure washer or garden hose to clean your tractor. They may cause damage to electrical components; spindles; pulleys; bearings; or the engine. The use of water will result in shortened life and reduce serviceability.

## Removing The Tractor From Storage

- Check the engine oil.
- Fully charge the battery and inflate the tires to the recommended pressure.
- If drained before storing, fill the fuel tank with clean, fresh gasoline.
- Add clean, fresh fuel.
- Start the engine and allow to idle for a few minutes to ensure engine is operating properly.
- Drive the tractor without a load to make certain all the tractor systems are functioning properly.

## Adjustments



**WARNING!** Shut the engine off, remove the ignition key and engage the parking brake before making adjustments. Protect your hands by using heavy gloves when handling the blades.

### Adjusting the Operators Seat

- To adjust the position of the seat, move and hold the seat adjustment lever toward the left. Slide the seat forward or rearward to the desired position; then release the adjustment lever. Make sure seat is locked into position before operating the tractor. See Figure 6-4.

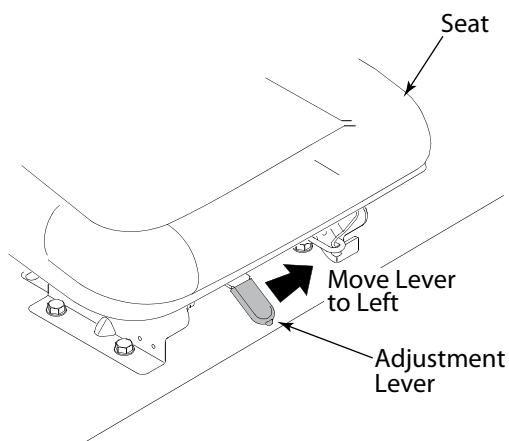


Figure 6-4

### Adjusting RH & LH Drive Control Levers

The RH and LH drive control levers can be adjusted up or down and fore-and-aft for the comfort of the operator. The drive control levers can be placed in either of two height positions, and/or can be moved forward or rearward within the range of the slot in each control lever mounting bracket.

To adjust the drive control lever height, proceed as follows:

- Remove the flange lock nut, flat washer, and hex screw securing the lever to the pivot bracket.
- While supporting the control lever to keep it from falling, remove the hex insert flange lock nut and shoulder screw from the bottom of the control lever and pivot bracket. Refer to Figure 6-5.
- Reposition the control lever to align with the other set of holes in the pivot bracket and insert the shoulder screw removed earlier. Fasten with the hex insert flange lock nut and tighten until snug.
- Insert the hex screw w/washer through the control lever slot and the pivot bracket. Thread the flange lock nut onto the screw, but do not tighten now.
- If you are going to adjust the control levers forward or rearward, proceed to the next step. If not, fully tighten the flange lock nut.

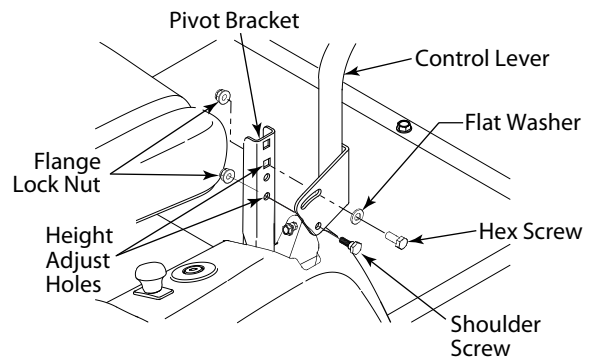


Figure 6-5

To adjust the drive control levers forward or rearward, proceed as follows:

If not already loose, loosen the flange lock nut and rotate the control lever either forward or rearward to the desired position. See Figure 6-5.

**NOTE:** If the control lever is too tight to move, slightly loosen the hex insert flange lock nut and shoulder screw at the bottom of the control lever.

- Tighten the flange lock nut to fix the control lever in the adjusted position
- Repeat the above procedure to adjust the other control lever into the same position. Adjust so that both levers are even with each other when in the neutral position.

## Leveling the Mower Deck

When correctly adjusted the mower deck should be level side to side, and the front of the deck should be approximately 1/4 inch lower than the rear of deck.

**NOTE:** Check the tractor's tire pressure before performing any deck leveling adjustments. See the tire side wall for proper inflation pressures.

### Side to Side Leveling

If the cutting deck appears to be mowing unevenly, a side to side adjustment can be performed. Adjust if necessary as follows:

- With the tractor parked on a firm, level surface, place the deck lift handle in the top notch (highest position) and rotate both blades so that they are perpendicular to the tractor frame..
- Lower the deck to the middle height position.
- Measure the distance from the outside left blade tip to the ground and the distance from the outside right blade tip to the ground. The measurements should be equal. If they're not, proceed to the next step.
- Comparing the two measurements, determine whether the right side of the deck must be raised or lowered.
- Loosen, but do not remove, the hex cap screw on the right deck hanger bracket. Refer to Figure 6-6.
- Level the deck by using a wrench to turn the adjustment gear (found immediately behind the hex cap screw just loosened) clockwise to lower the right side of the deck, or counterclockwise to raise the right side of the deck. See Figure 6-6.

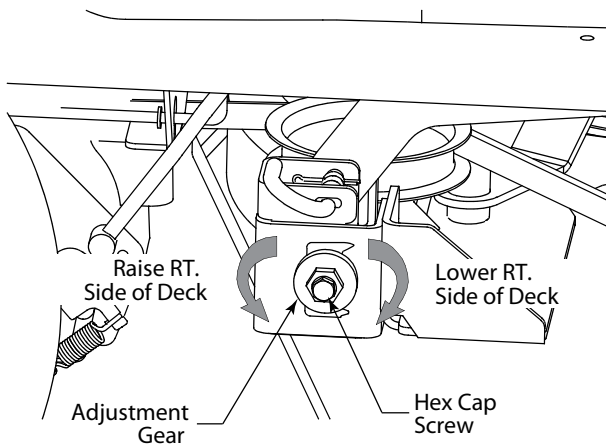


Figure 6-6

- The deck is properly leveled when both blade tip measurements taken earlier are equal.
- Retighten the hex cap screw on the right deck hanger bracket when proper adjustment is achieved.

### Front to Back Leveling.

The front of the deck should be approximately 1/4 inch lower than the rear of the deck. Adjust if necessary as follows:

- With the deck raised off of the ground, rotate the outer blades so that they are parallel to the frame of the tractor.
- If the side to side leveling was done correctly, measuring just the right blade should be acceptable to attain the correct back to front pitch of the deck.
- Measure the distance from the front tip of the blade to the ground and the distance from the rear tip to the ground. The front distance should be approximately 1/4 inch less than the rear. If it is not, proceed to the next step.
- From the front of the tractor, loosen the outer hex nuts on the deck front hanger rod and turn them away from the inner nuts. Refer to Figure 6-7.
- If the front of the deck was too low, turn the inner hex nuts clockwise against the hanger bracket to shorten the front hanger rod and raise the front of the deck. Refer to Figure 6-7.

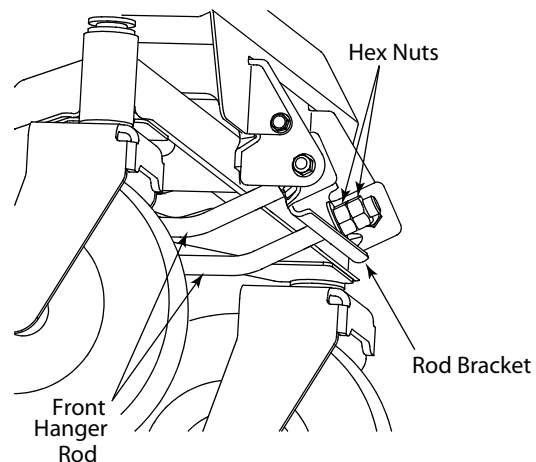


Figure 6-7

- If the front of the deck was too high, turn the hex nuts counterclockwise to lengthen the front hanger rod and lower the front of the deck.

**IMPORTANT:** The deck front hanger rod should be at the front of the slots of the front deck bracket. If one side of the rod is not at the front of its slot, turn the inner hex nut on that side until rod just touches the front of the slot. Then re-measure and re-adjust the front hanger rod as necessary.

- When the correct pitch of the deck is acquired, secure the inner hex nuts with a wrench and tighten the outer hex nuts against the inner hex nuts to lock them in the adjusted position.

## Adjusting the Gauge Wheels



**WARNING!** Keep hands and feet away from the discharge opening of the cutting deck.

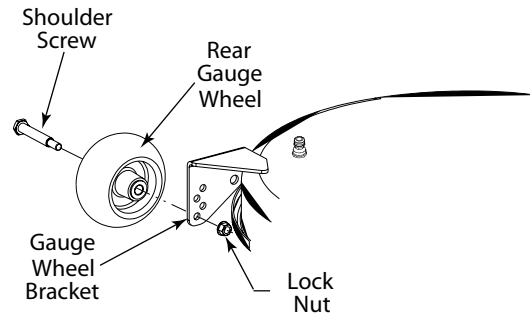
**NOTE:** The deck gauge wheels are an anti-scalp feature of the deck and are not designed to support the weight of the cutting deck.

The mower deck cutting height can be set in any of six height settings using the tractor's deck lift handle. The deck heights range from 1-1/2" to 4". The deck gauge wheel position should be approximately 1/4 to 1/2 inch above the ground when the deck is set in the desired height setting.

Using the lift handle, set the deck in the desired height setting, then check the gauge wheel distance from the ground below. If necessary adjust as follows:

- Visually check the distance between the front gauge wheels and the ground. If the gauge wheels are near or touching the ground, they should be raised. If more than 1/2" above the ground, they should be lowered.
- Remove the lock nut securing one of the front gauge wheel shoulder screws to the deck. Remove the gauge wheel and shoulder screw. Refer to Figure 6-8.

- Insert the shoulder screw into the one of four index holes in the front gauge wheel bracket that will give the gauge wheel a 1/4 to 1/2 inch clearance with the ground.



**Figure 6-8**

- Note the index hole of the just adjusted wheel, and adjust the other gauge wheels into the respective index holes of the other gauge wheel brackets on the deck.



## Maintenance Schedule

	Before Each use	Every 10 Hours	Every 25 Hours	Every 50 Hours	Every 100 Hours	Prior to Storing
Check Engine Oil Level	✓	✓				
Check Air Filter for Dirty, Loose or Damaged Parts	✓					
Clean and Re-oil Air Filter's Foam Precleaner			✓			
Replace Air Filter Element					✓	
Change Engine Oil and Replace Oil Filter				✓		
Clean Battery Terminals		✓				✓
Lube Front Pivot Axle and Caster Axles		✓				✓
Clean Engine Cooling Fins			✓			✓
Lube Deck Wheels				✓		✓
Check Spark Plug Condition & Gap					✓	✓
Replace Fuel Filter					✓	

## Battery Removal



**WARNING!** Battery posts, terminals and related accessories contain lead and lead compounds. Wash hands after handling.

The battery is located on the right/rear of the tractor beneath the seat box frame. To remove the battery:

- Remove the two hex tapping screws from the battery holddown bracket and remove the bracket. Use care to avoid losing the trim strip from the bottom of the bracket. See Figure 7-1.

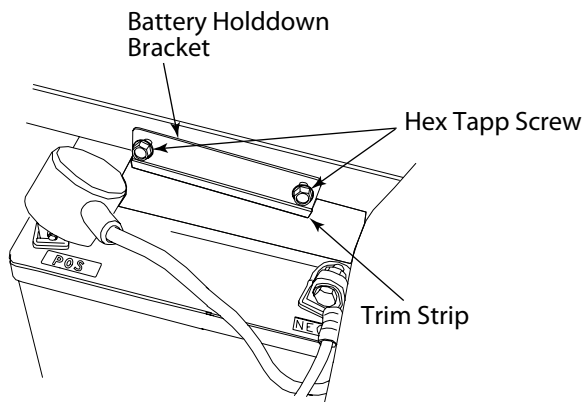


Figure 7-1

- Remove the hex cap screw and sems nut securing the black negative battery lead to the negative battery post (marked NEG). Move the cable away from the negative battery post.
- Remove the hex cap screw and sems nut securing the red positive battery lead to the positive battery post (marked POS).
- Carefully lift the battery out of the tractor.

Install the battery by repeating the above steps in the reverse order.



**WARNING!** Always connect the positive lead to the battery before connecting the negative lead. This will prevent sparking or possible injury from an electrical short caused by contacting the tractor body with tools being used to connect the cables.

## Charging the Battery

Test and, if necessary, recharge the battery after the tractor has been stored for a period of time.

- A voltmeter or load tester should read 12.6 volts (DC) or higher across the battery terminals.
- Charge the battery with a 12-volt battery charger at a MAXIMUM rate of 10 amps.

Voltmeter Reading	State of Charge	Charging Time
12.7	100%	Full Charge
12.4	75%	90 Min.
12.2	50%	180 Min.
12.0	25%	280 Min.

## Servicing Electrical System

A fuse is installed to protect the tractor's electrical system from damage caused by excessive amperage. Always use the same capacity fuse for replacement. If the electrical system does not function, check for a blown fuse. See Figure 7-2.

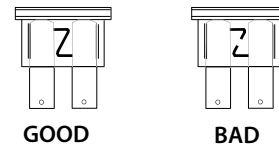


Figure 7-2

If you have a recurring problem with blown fuses, have the tractor's electrical system checked by your Troy-Bilt Service Dealer

## Relays and Switches

There are several safety switches in the electrical system. If a function of the safety interlock system described earlier is not functioning properly, have the electrical system checked by your Troy-Bilt Service Dealer.

## Deck Removal

Remove the mower deck from the tractor as follows:

- Move the tractor to a level surface, disengage the PTO, stop the engine, and set the parking brake.
- Move the deck gauge wheels or rollers to their highest setting (lowest deck setting).
- Remove the 'V' belt from the PTO pulley, located on the bottom of the engine, using one of the following two methods.



**WARNING!** The muffler at the rear of the tractor may be extremely hot, and could cause serious burns. Use extreme caution when near the muffler. Allow the muffler to fully cool before removing the belt from the PTO pulley.

## Releasing belt tension with the idler pulley.

- Using the deck lift handle, raise the deck to the position that provides the most horizontal run of the belt between the deck idler pulleys and the PTO pulley on the bottom of the engine.

- Working from the middle of the tractor, pivot the idler bracket and movable idler pulley rearward away from the backside of the 'V' belt just far enough to lift the belt up and over the idler pulley. See Figure 7-3.

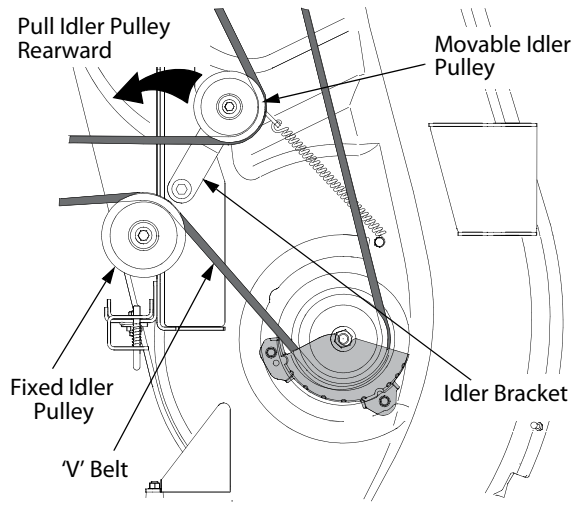


Figure 7-3

- From beneath the rear of the tractor, slide the belt off of the PTO pulley on the bottom of the engine.

### Rolling the belt off the PTO pulley.

- Using the deck lift handle, raise the deck to the position that provides the most horizontal run of the belt between the deck idler pulleys and the PTO pulley on the bottom of the engine.
- Sitting behind the tractor facing forward, reach beneath the tractor to grasp the belt at the front of the PTO pulley.



**WARNING!:** Use caution to avoid pinching your fingers when rolling the belt off the PTO pulley.

- Pull the left side of the belt rearward and downward while manually turning the PTO pulley to the right until the belt rides out onto the edge of the lower sheave of the pulley. **NOTE:** If pulling the right side of the belt, turn the pulley to the left.
- While still holding the belt downward, continue turning the PTO pulley until the belt is rolled off the pulley. Refer to Figure 7-5.
- Lower the deck to the ground using the deck lift handle.
- Locate the LH and RH deck support pins on each side of the deck. Pull the deck support pins outward and lock in the disengaged position to release the deck from the tractor's LH and RH deck lift arms. Refer to Figure 7-4.
- Raise the deck lift arms out of the rear hanger bracket slots by raising the deck lift handle on the tractor to its highest position. Refer to Figure 7-4.
- Slide the deck forward so that the deck front hanger rod can be lifted out of the two slots of the front deck

bracket. After lifting the front hanger rod out of the slots, slide the deck rearward so that the rod can no longer engage the slots.

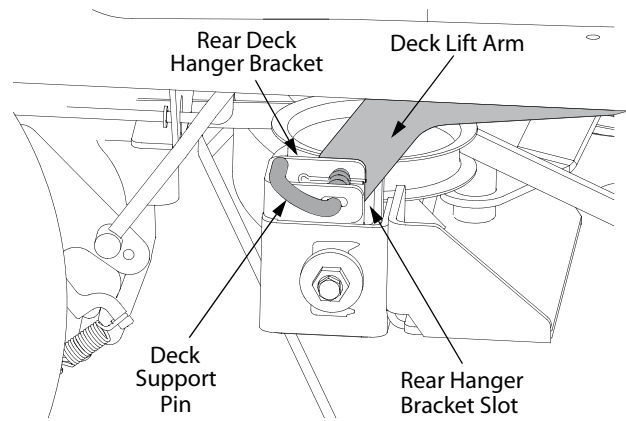


Figure 7-4

- Using care to prevent the front hanger rod from falling back into the deck bracket slots, carefully slide the cutting deck (from the right side) out from underneath the tractor.

### Deck Installation

To install the mower deck, proceed as follows:

- While holding the deck front hanger rod upward, carefully slide the deck underneath the right side of the tractor.
- While still holding the front hanger rod, slide the deck forward until the front hanger rod can be lowered into the slots of the front deck bracket.
- Lower the front hanger rod into the slots of the front deck bracket, then slide the deck rearward.
- Maneuver the deck so that the slots in the two rear deck hanger brackets approximately align with the deck lift arms of the tractor. Refer to Figure 7-4.
- Use the tractor deck lift handle to lower the deck lift arms into the slots of the rear deck hanger brackets.
- Pull the deck support pins outward and maneuver the deck as necessary to align the holes in the deck lift arms with the pins. Refer to Figure 7-4.
- When aligned, push each pin fully inward through the lift arms to secure the arms in the rear hanger bracket slots.
- Make certain the 'V' belt is in the spindle pulleys on the deck; then route the belt rearward beneath the tractor frame, above the transmission tube(s), to the PTO pulley on the bottom of the engine.
- Install the 'V' belt onto the PTO pulley using one of the following two methods.



**WARNING! :** The muffler at the rear of the tractor may be extremely hot, and could cause serious burns. Use extreme caution when near the muffler. Allow the muffler to fully cool before installing the belt.

### Using the idler pulley to tension the belt.

- Using the deck lift handle, raise the deck to the position that provides the most horizontal run of the belt between the deck idler pulleys and the PTO pulley on the bottom of the engine.
- Install the belt in the PTO pulley on the bottom of the engine.
- Route the backside of the belt around the fixed idler pulley of the deck. Refer to Figure 7-3.
- Working from the middle of the tractor, pivot the idler bracket/movable pulley rearward against the spring tension and slide the backside of the belt onto the movable idler pulley. Refer to Figure 7-3.

### Rolling the belt into the PTO pulley.

- Using the deck lift handle, raise the deck to the position that provides the most horizontal run of the belt between the deck idler pulleys and the PTO pulley on the bottom of the engine.
- Make certain the belt is in the spindle pulleys of the deck, and that the backside of the belt is against both the fixed and movable idler pulleys. Refer to Figure 7-3.
- Sitting behind the tractor, facing forward, make certain the belt is not twisted; then reach beneath the tractor to grasp the belt and pull it toward the PTO pulley.



**WARNING!** Use caution to avoid pinching your fingers when rolling the belt onto the PTO pulley.

- Pull the right side of the belt rearward and place the narrow V side of the belt into the PTO pulley. See Figure 7-5.

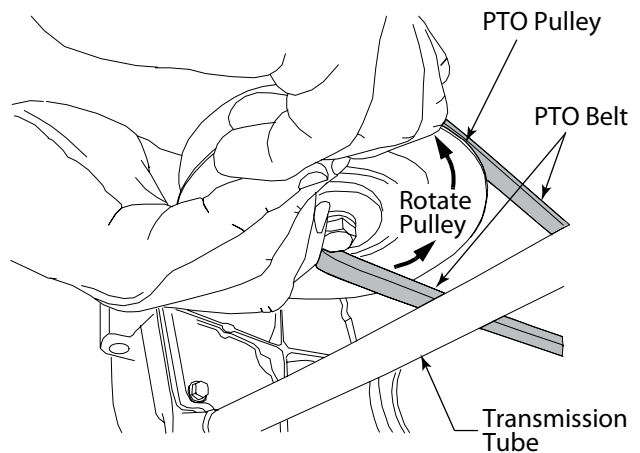


Figure 7-5

- While holding the belt and pulley together, rotate the pulley to the left (See Figure 7-5). Continue holding and rotating the pulley and belt until the belt is fully rolled into the PTO pulley.

### Replacing the Deck Drive Belt

- Remove the deck from beneath the tractor, (refer to Deck Removal on page 26).
- Remove the hex tapping screws securing the belt covers to the deck and remove the belt from the spindle pulleys. Refer to Figure 7-6.
- Install the new belt around the spindle pulleys as shown in Figure 7-6 and reinstall the belt covers.
- Route the belt rearward between the two idler pulleys and reinstall the deck following the instructions in **Deck Installation** on page 27.

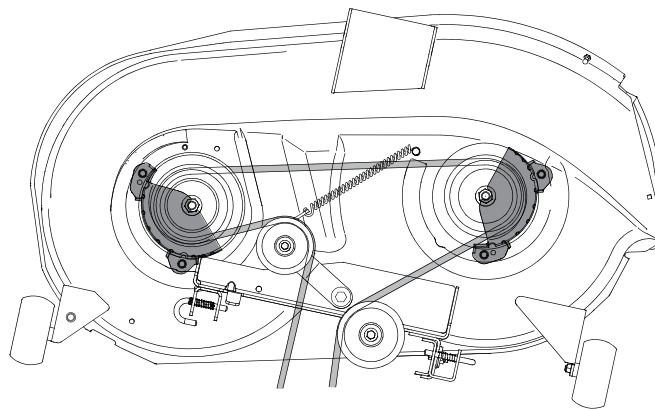


Figure 7-6

## Mower Blade Care



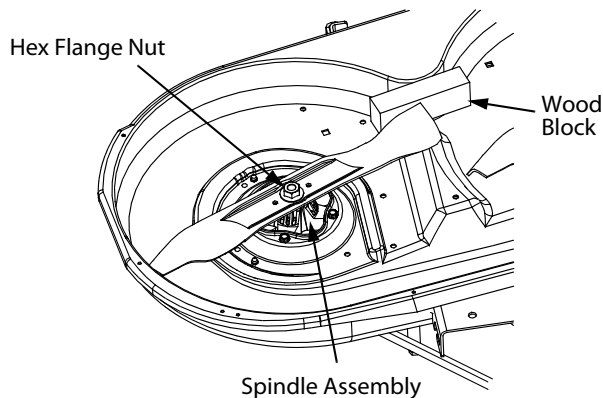
**WARNING!** Before performing any maintenance, place the PTO switch in the "OFF" position, engage the parking brake lever, turn the ignition key to the "OFF" position and remove the key from the switch. When servicing the mower deck, be careful not to cut yourself on the sharpened blades.

The cutting blades must be kept sharp at all times. Sharpen the cutting edges of the blades evenly so that the blades remain balanced and the same angle of sharpness is maintained.

If the cutting edge of a blade has already been sharpened many times, or if any metal separation is present, it is recommended that new blades be installed. New blades are available at your authorized dealer.

The blades may be removed as follows.

- Remove the deck from beneath the tractor, (refer to Deck Removal on page 26) then gently flip the deck over to expose its underside.
- Use a 15/16 inch wrench to hold the hex nut on top of the spindle assembly when loosening the hex nut securing the blade. A block of wood may be placed between the deck housing and the cutting edge of the blade to help in breaking loose the hex nut securing the blade. See Figure 7-7.



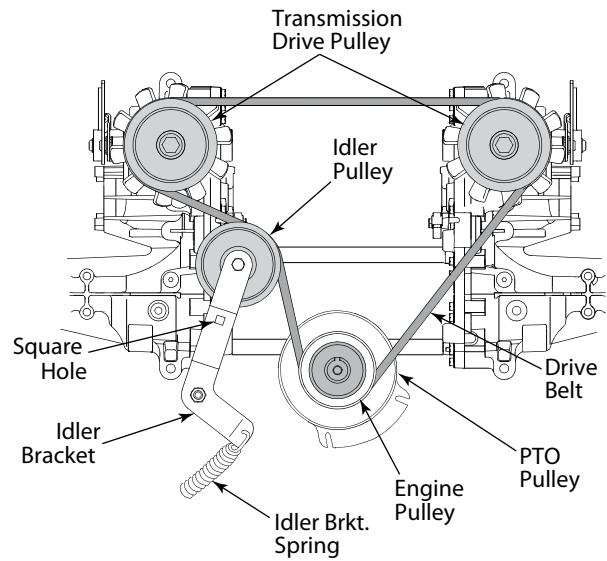
**Figure 7-7**

- When reinstalling the blades, be sure they are installed so that the wind wings are pointing upward toward the top of the deck.
- Tighten the blade nuts to 70-90 ft. lbs.
- Reinstall the deck (refer to Deck Installation on page 27).

## Transmission Drive Belt

If the transmission drive belt becomes worn and causes the drive transmissions to slip, the drive belt must be replaced. To replace the drive belt, proceed as follows:

- Remove the deck drive belt from the PTO clutch on the bottom of the engine following the instructions in **Deck Removal**.
- From beneath the rear of the tractor, insert a 3/8 inch drive ratchet into the square hole of the drive idler bracket. See Figure 7-8.



**Figure 7-8**

- Using the ratchet for leverage, pivot the idler bracket and idler pulley away from the backside of the "V" belt; then lift the belt off and above the engine pulley and off the idler pulley.
- With the belt loose, lift the belt off, up and over the two transmission drive pulleys. Remove the belt from the engine and idler pulleys.
- Loop the new belt and slide over and onto the two transmission pulleys.
- Route the belt above the idler bracket back to the engine drive pulley. Lift the belt over the PTO pulley and above the engine drive pulley.
- Using the ratchet for leverage, pivot the idler bracket and idler pulley against the spring tension; then slip the belt down into the engine drive pulley and onto the idler pulley.
- Release the idler bracket so that the idler pulley tightens against the back side of the belt and tensions the drive belt.
- Reinstall the deck drive belt.

## Tractor Creeping

Creeping is the slight forward or backward movement of the tractor when the engine is running at high idle and the drive control levers are opened out in the neutral position.

If after operating the tractor for some time, it begins to creep while in the neutral position, adjust the transmission control rods as follows.

- Place the front of the tractor against an immovable object (e.g. wall, post, etc.).
- Jack up the rear of the tractor so that both rear wheels are approximately one inch of the ground.
- With the engine running at high idle and the drive control levers opened out in the neutral position, and the parking brake disengaged, check the rear wheels for rotation.
- If only one wheel is rotating, locate the transmission control rod beneath the frame at the front of the rear tire. If both wheels rotate, locate both control rods. See Figure 7-9.

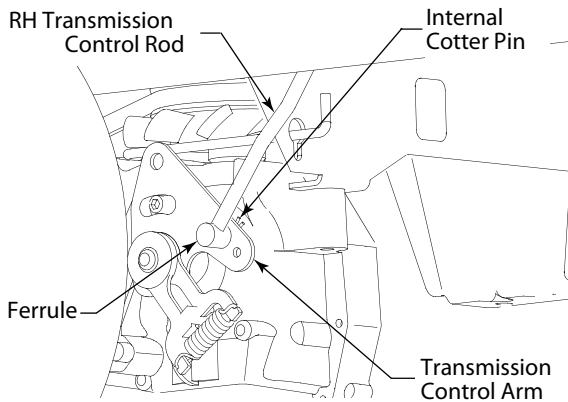


Figure 7-9

- Remove the internal cotter pin securing the ferrule to the transmission control arm and withdraw the ferrule. Wheel rotation should stop. If it does not, contact your Troy-Bilt Service Dealer.
- If the rotation stops, adjust the ferrule up or down the control rod as necessary to align with the hole in the transmission control arm. Re-insert the ferrule into the hole in the control arm and secure with the internal cotter pin.
- If necessary, repeat the previous two steps to adjust the other transmission control rod.
- Lower the tractor and remove the jack.

## Tractor High Speed Tracking

If the tractor tracks to one side with both drive control levers fully forward, adjust the control levers as follows:

- Check for proper and balanced air pressure in both front and rear tires. Refill tires if necessary.
- Perform the first three steps in the previous sub-section, Tractor Creeping, to verify that the tractor is not creeping. If creeping, adjust following the instructions in that sub-section.
- Recheck the tracking after making any adjustments to the transmission control rods.
- If uneven tracking persists, note which direction the tractor is tracking.
  - If the tractor tracks to the right, adjust the control lever stop bolt on the left side.
  - If the tractor tracks to the left, adjust the control lever stop bolt on the right side.
- Locate the applicable stop bolt on the left or right console. See Figure 7-10.

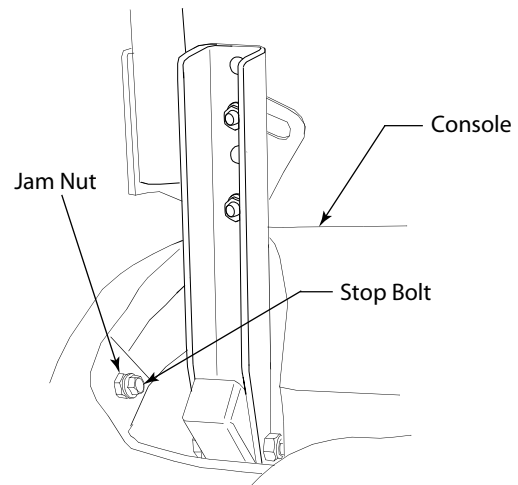

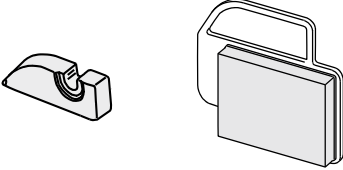
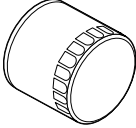
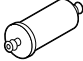
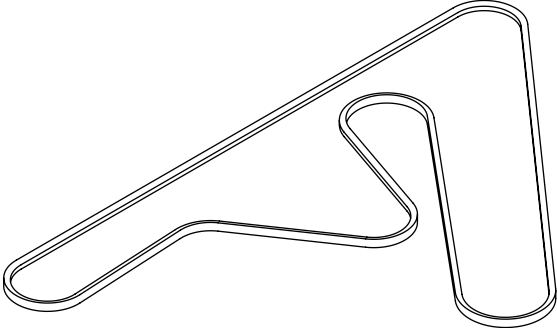
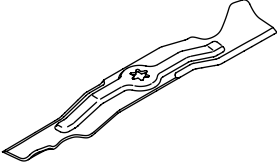
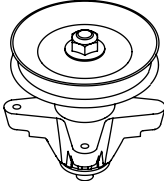


Figure 7-10


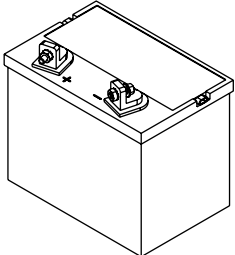
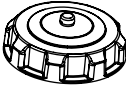

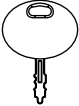
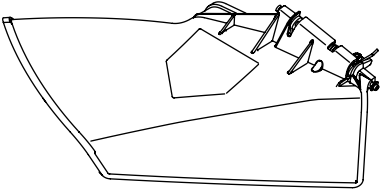
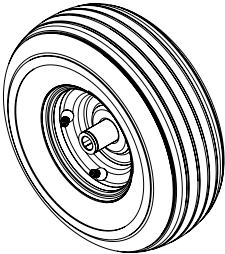
- Loosen the jam nut on the stop bolt, then turn the stop bolt counterclockwise to make it longer. Recheck the tracking and fine tune the adjustment as necessary.  
**NOTE:** If the stop bolt is adjusted too far, the tracking problem will change sides. Make fine tuning adjustments by shortening the same bolt.
- Tighten the jam nut against the console and reposition the control lever as necessary to make the two control handles even with each other.

Problem	Cause	Remedy
Engine fails to start	<ol style="list-style-type: none"> <li>1. PTO/Blade Engage knob engaged.</li> <li>2. Parking brake not engaged.</li> <li>3. Drive control levers not fully outward in neutral position.</li> <li>4. Spark plug wire(s) disconnected.</li> <li>5. Throttle control lever not in correct starting position.</li> <li>6. Choke not activated</li> <li>7. Fuel tank empty, or stale fuel.</li> <li>8. Blocked fuel line.</li> <li>9. Faulty spark plug(s).</li> <li>10. Engine flooded.</li> </ol>	<ol style="list-style-type: none"> <li>1. Place knob in disengaged (OFF) position.</li> <li>2. Engage parking brake.</li> <li>3. Move drive control levers fully outward in neutral position.</li> <li>4. Connect wire(s) to spark plug(s).</li> <li>5. Place throttle lever to FAST position.</li> <li>6. Push throttle control lever to choke position.</li> <li>7. Fill tank with clean, fresh (less than 30 days old) gas.</li> <li>8. Clean fuel line and replace fuel filter.</li> <li>9. Clean, adjust gap or replace plug(s).</li> <li>10. Crank engine with throttle in FAST position.</li> </ol>
Engine runs erratic	<ol style="list-style-type: none"> <li>1. Unit running with CHOKE activated.</li> <li>2. Spark plug wire(s) loose.</li> <li>3. Blocked fuel line or stale fuel.</li> <li>4. Vent in gas cap plugged.</li> <li>5. Water or dirt in fuel system.</li> <li>6. Dirty air cleaner.</li> </ol>	<ol style="list-style-type: none"> <li>1. Pull the throttle control lever rearward from the choke position</li> <li>2. Connect spark plug wire(s).</li> <li>3. Clean fuel line; fill tank with clean, fresh gasoline and replace fuel filter.</li> <li>4. Clear vent or replace cap if damaged.</li> <li>5. Drain fuel tank. Refill with clean, fresh gasoline.</li> <li>6. Replace air cleaner paper element or clean foam pre-cleaner.</li> </ol>
Engine overheats	<ol style="list-style-type: none"> <li>1. Engine oil level low.</li> <li>2. Air flow restricted.</li> </ol>	<ol style="list-style-type: none"> <li>1. Fill crankcase with proper amount and weight of oil.</li> <li>2. Clean grass clippings and debris from around the engine's cooling fins and blower housing.</li> </ol>
Engine hesitates at high RPM	<ol style="list-style-type: none"> <li>1. Spark plug(s) gap too close.</li> </ol>	<ol style="list-style-type: none"> <li>1. Remove spark plug(s) and reset the gap.</li> </ol>
Engine Idles rough	<ol style="list-style-type: none"> <li>1. Spark plug(s) fouled, faulty or gap too wide.</li> <li>2. Dirty air cleaner.</li> </ol>	<ol style="list-style-type: none"> <li>1. Replace spark plug(s). Set plug gap.</li> <li>2. Replace air cleaner element and/or clean pre-cleaner.</li> </ol>
Excessive vibration	<ol style="list-style-type: none"> <li>1. Cutting blade loose or unbalanced.</li> <li>2. Damaged or bent cutting blade.</li> </ol>	<ol style="list-style-type: none"> <li>1. Tighten blade and spindle.</li> <li>2. Replace blade.</li> </ol>
Uneven cut	<ol style="list-style-type: none"> <li>1. Deck not leveled properly.</li> <li>2. Dull blade.</li> <li>3. Uneven tire pressure.</li> </ol>	<ol style="list-style-type: none"> <li>1. Perform side-to-side deck adjustment.</li> <li>2. Sharpen or replace blade.</li> <li>3. Check tire pressure in all four tires.</li> </ol>
Mower will not mulch grass (If Equipped w/Mulching Kit)	<ol style="list-style-type: none"> <li>1. Engine speed too low.</li> <li>2. Wet grass.</li> <li>3. Excessively high grass.</li> <li>4. Dull blade.</li> </ol>	<ol style="list-style-type: none"> <li>1. Place throttle in FAST (rabbit) position.</li> <li>2. Do not mulch when grass is wet.</li> <li>3. Mow once at a high cutting height, then mow again at desired height or make a narrower cutting swath.</li> <li>4. Sharpen or replace blade.</li> </ol>

Component	Part Number and Description
	759-3336 Spark Plug (Champion RC12YC)
	KH-20-883-02-S Kohler Air Filter Element and Precleaner
	KH-12-050-01-S Kohler Oil Filter
	KH-25-050-22-S1 Kohler Fuel Filter OK
	954-04137 Drive Belt (Mowing Deck) 954-04043A Drive Belt (Transmissions)
	942-0616A 3-in-1 Deck Blade
	918-0624 Deck Spindle

Phone (800) 828-5500 to order replacement parts or a complete Parts Manual (have your full model number and serial number ready). Parts Manual downloads are also available free of charge at [www.troybilt.com](http://www.troybilt.com).



Component	Part Number and Description
	734-04155 Deck Wheel
	925-1707D Battery
	951-3124D Fuel Tank Cap
	746-04161 Throttle Control/Cable
	725-1745 Ignition Key
	931-1032B Discharge Chute Assembly
	634-04237A Caster Wheel Assembly

Phone (800) 828-5500 to order replacement parts or a complete Parts Manual (have your full model number and serial number ready).  
 Parts Manual downloads are also available free of charge at [www.troybilt.com](http://www.troybilt.com).

The following attachments and accessories are compatible with your Troy-Bilt RZT tractor. See your Troy-Bilt dealer or the retailer from which you purchased your tractor for information regarding price and availability.

<b>Model Number</b>	<b>Description</b>
590-302-000	Double Bagger
190-116-000	Mulch Plug

---

**CALIFORNIA EMISSION CONTROL WARRANTY STATEMENT  
YOUR WARRANTY RIGHTS AND OBLIGATIONS**

The California Air Resources Board and MTD Consumer Group Inc are pleased to explain the evaporative emission control system warranty on your 2007 lawn mower. In California, new lawn mower must be designed, built and equipped to meet the State's stringent anti-smog standards. MTD Consumer Group Inc must warrant the EECS on your lawn mower for the period of time listed below provided there has been no abuse, neglect or improper maintenance of your lawn mower.

Your EECS may include parts such as the carburetor, fuel-injection system, the ignition system, catalytic converter, fuel tanks, fuel lines, fuel caps, valves, canisters, filters, vapor hoses, clamps, connectors, and other associated emission-related components.

**Where a warrantable condition exists, MTD Consumer Group Inc will repair your lawn mower at no cost to you including diagnosis, parts and labor.**

**MANUFACTURER'S WARRANTY COVERAGE:**

This evaporative emission control system is warranted for two years. If any evaporative emission-related part on your equipment is defective, the part will be repaired or replaced by MTD Consumer Group Inc.

**OWNER'S WARRANTY RESPONSIBILITIES:**

As the lawn mower owner, you are responsible for performance of the required maintenance listed in your owner's manual. MTD Consumer Group Inc recommends that you retain all receipts covering maintenance on your lawn mower, but MTD Consumer Group Inc cannot deny warranty solely for the lack of receipts.

As the lawn mower owner, you should however be aware that MTD Consumer Group Inc may deny you warranty coverage if your lawn mower or a part has failed due to abuse, neglect, or improper maintenance or unapproved modifications.

You are responsible for presenting your lawn mower to MTD Consumer Group Inc's distribution center or service center as soon as the problem exists. The warranty repairs should be completed in a reasonable amount of time, not to exceed 30 days. If you have a question regarding your warranty coverage, you should contact the MTD Consumer Group Inc Service Department at 1-800-800-7310.

**GENERAL EMISSIONS WARRANTY COVERAGE:**

MTD Consumer Group Inc warrants to the ultimate purchaser and each subsequent purchaser that the lawn mower is: Designed, built and equipped so as to conform with all applicable regulations; and free from defects in materials and workmanship that cause the failure of a warranted part to be identical in all material respects to that part as described in MTD Consumer Group Inc's application for certification.

The warranty period begins on the date the lawn mower is delivered to an ultimate purchaser or first placed into service. The warranty period is two years.

Subject to certain conditions and exclusions as stated below, the warranty on emission-related parts is as follows:

1. Any warranted part that is not scheduled for replacement as required maintenance in the written instructions supplied, is warranted for the warranty period stated above. If the part fails during the period of warranty coverage, the part will be repaired or replaced by MTD Consumer Group Inc according to subsection (4) below. Any such part repaired or replaced under warranty will be warranted for the remainder of the period.
2. Any warranted part that is scheduled only for regular inspection in the written instructions supplied is warranted for the warranty period stated above. Any such part repaired or replaced under warranty will be warranted for the remaining warranty period.
3. Any warranted part that is scheduled for replacement as required maintenance in the written instructions supplied is warranted for the period of time before the first scheduled replacement date for that part. If the part fails before the first scheduled replacement, the part will be repaired or replaced by MTD Consumer Group Inc according to subsection (4) below. Any such part repaired or replaced under warranty will be warranted for the remainder of the period prior to the first scheduled replacement point for the part.
4. Repair or replacement of any warranted part under the warranty provisions herein must be performed at a warranty station at no charge to the owner.
5. Notwithstanding the provisions herein, warranty services or repairs will be provided at all of our distribution centers that are franchised to service the subject engines or equipment.
6. The lawn mower owner will not be charged for diagnostic labor that is directly associated with diagnosis of a defective, emission-related warranted part, provided that such diagnostic work is performed at a warranty station.
7. MTD Consumer Group Inc is liable for damages to other engine or equipment components proximately caused by a failure under warranty of any warranted part.
8. Throughout the lawn mower warranty period stated above, MTD Consumer Group Inc will maintain a supply of warranted parts sufficient to meet the expected demand for such parts.
9. Any replacement part may be used in the performance of any warranty maintenance or repairs and must be provided without charge to the owner. Such use will not reduce the warranty obligations of MTD Consumer Group Inc.
10. Add-on or modified parts that are not exempted by the Air Resources Board may not be used. The use of any non-exempted add-on or modified parts by the ultimate purchaser will be grounds for disallowing a warranty claims. MTD Consumer Group Inc will not be liable to warrant failures of warranted parts caused by the use of a non-exempted add-on or modified part.

**WARRANTED PARTS:**

The repair or replacement of any warranted part otherwise eligible for warranty coverage may be excluded from such warranty coverage if MTD Consumer Group Inc demonstrates that the lawn mower has been abused, neglected, or improperly maintained, and that such abuse, neglect, or improper maintenance was the direct cause of the need for repair or replacement of the part. That notwithstanding, any adjustment of a component that has a factory installed, and properly operating, adjustment limiting device is still eligible for warranty coverage. The following emission warranty parts list are covered: Fuel Line, Fuel Line Clamps

---

# MANUFACTURER'S LIMITED WARRANTY FOR



The limited warranty set forth below is given by Troy-Bilt LLC with respect to new merchandise purchased and used in the United States and/or its territories and possessions, and by MTD Products Limited with respect to new merchandise purchased and used in Canada and/or its territories and possessions (either entity respectively, "Troy-Bilt").

"Troy-Bilt" warrants this product (excluding its *Normal Wear Parts and Attachments* as described below) against defects in material and workmanship for a period of two (2) years commencing on the date of original purchase and will, at its option, repair or replace, free of charge, any part found to be defective in materials or workmanship. This limited warranty shall only apply if this product has been operated and maintained in accordance with the Operator's Manual furnished with the product, and has not been subject to misuse, abuse, commercial use, neglect, accident, improper maintenance, alteration, vandalism, theft, fire, water, or damage because of other peril or natural disaster. Damage resulting from the installation or use of any part, accessory or attachment not approved by Troy-Bilt for use with the product(s) covered by this manual will void your warranty as to any resulting damage.

*Normal Wear Parts* are warranted to be free from defects in material and workmanship for a period of thirty (30) days from the date of purchase. Normal wear parts include, but are not limited to items such as: batteries, belts, blades, blade adapters, tines, grass bags, wheels, rider deck wheels, seats, snow thrower skid shoes, friction wheels, shave plates, auger spiral rubber and tires.

*Attachments* — Troy-Bilt warrants attachments for this product against defects in material and workmanship for a period of one (1) year, commencing on the date of the attachment's original purchase or lease. Attachments include, but are not limited to items such as: grass collectors and mulch kits.

**HOW TO OBTAIN SERVICE:** Warranty service is available, WITH PROOF OF PURCHASE, through your local authorized service dealer. To locate the dealer in your area:

## **In the U.S.A.**

Check your Yellow Pages, or contact Troy-Bilt LLC at P.O. Box 361131, Cleveland, Ohio 44136-0019, or call 1-866-840-6483, 1-330-558-7220 or log on to our Web site at [www.troybilt.com](http://www.troybilt.com).

## **In Canada**

Contact MTD Products Limited, Kitchener, ON N2G 4J1, or call 1-800-668-1238 or log on to our Web site at [www.mtdcanada.com](http://www.mtdcanada.com).

This limited warranty does **not** provide coverage in the following cases:

- The engine or component parts thereof. These items may carry a separate manufacturer's warranty. Refer to applicable manufacturer's warranty for terms and conditions.
- Log splitter pumps, valves, and cylinders have a separate one-year warranty.

- Routine maintenance items such as lubricants, filters, blade sharpening, tune-ups, brake adjustments, clutch adjustments, deck adjustments, and normal deterioration of the exterior finish due to use or exposure.
- Service completed by someone other than an authorized service dealer.
- Troy-Bilt does not extend any warranty for products sold or exported outside of the United States and/or Canada, and their respective possessions and territories, except those sold through Troy-Bilt's authorized channels of export distribution.
- Replacement parts that are not genuine Troy-Bilt parts.
- Transportation charges and service calls.
- Troy-Bilt does not warrant this product for commercial use.

**No implied warranty, including any implied warranty of merchantability of fitness for a particular purpose, applies after the applicable period of express written warranty above as to the parts as identified. No other express warranty, whether written or oral, except as mentioned above, given by any person or entity, including a dealer or retailer, with respect to any product, shall bind Troy-Bilt. During the period of the warranty, the exclusive remedy is repair or replacement of the product as set forth above.**

**The provisions as set forth in this warranty provide the sole and exclusive remedy arising from the sale. Troy-Bilt shall not be liable for incidental or consequential loss or damage including, without limitation, expenses incurred for substitute or replacement lawn care services or for rental expenses to temporarily replace a warranted product.**

Some states do not allow the exclusion or limitation of incidental or consequential damages, or limitations on how long an implied warranty lasts, so the above exclusions or limitations may not apply to you.

In no event shall recovery of any kind be greater than the amount of the purchase price of the product sold. **Alteration of safety features of the product shall void this warranty.** You assume the risk and liability for loss, damage, or injury to you and your property and/or to others and their property arising out of the misuse or inability to use the product.

This limited warranty shall not extend to anyone other than the original purchaser or to the person for whom it was purchased as a gift.

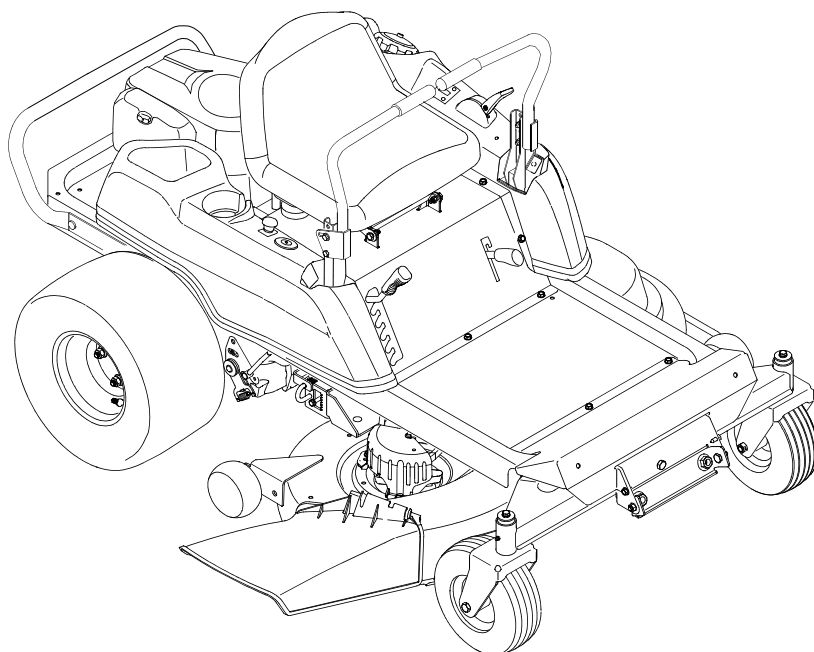
**HOW STATE LAW RELATES TO THIS WARRANTY:** This limited warranty gives you specific legal rights, and you may also have other rights which vary from state to state.

**IMPORTANT:** Owner must present Original Proof of Purchase to obtain warranty coverage.

**Troy-Bilt LLC, P.O. BOX 361131 CLEVELAND, OHIO 44136-0019; Phone: 1-866-840-6483, 1-330-558-7220  
MTD Canada Limited - KITCHENER, ON N2G 4J1; Phone 1-800-668-1238**



# MANUAL DEL OPERADOR



## Tractor serie RZT — Colt RZT

### **⚠ ADVERTENCIA**

**LEA Y SIGA TODAS LAS INSTRUCCIONES DE ESTE MANUAL  
ANTES DE PONER EN FUNCIONAMIENTO ESTA MÁQUINA.  
SI NO RESPETA ESTAS INSTRUCCIONES PUEDE PROVOCAR LESIONES PERSONALES.**

TROY-BILT LLC, P.O. BOX 361131 CLEVELAND, OHIO 44136-0019

## Gracias

Gracias por comprar un tractor serie RZT fabricado por Troy-Bilt LLC. El mismo ha sido diseñado cuidadosamente para brindar excelente rendimiento si se lo opera y mantiene correctamente.

Por favor lea todo este manual antes de operar el equipo. Le indica cómo configurar, operar y mantener la máquina con seguridad y fácilmente. Por favor asegúrese de seguir cuidadosamente y en todo momento las prácticas de seguridad recomendadas y de hacérselas seguir a cualquier otra persona que opere la máquina. En caso de no hacerlo podrían producirse lesiones personales o daños materiales.

Toda la información contenida en este manual hace referencia a la más reciente información de producto disponible en el momento de la impresión. Revise el manual frecuentemente para familiarizarse con la máquina, sus características y funcionamiento. Por favor tenga en cuenta que este Manual del Operador puede cubrir una gama de especificaciones de productos de diferentes modelos. Las características y funciones incluidas y/o ilustradas en este manual pueden no ser aplicables a todos los modelos. Troy-Bilt LLC se reserva el derecho a modificar las especificaciones de

los productos, los diseños y el equipo estándar sin previo aviso y sin generar responsabilidad por obligaciones de ningún tipo.

Este producto cumple con las estrictas normas de seguridad del Outdoor Power Equipment Institute y de un laboratorio de pruebas independiente. Si tiene algún problema o duda respecto a la máquina, llame a un distribuidor de servicio Troy-Bilt autorizado o póngase en contacto directamente con nosotros. Los números de teléfono, dirección del sitio web y dirección postal de la Asistencia al Cliente de Troy-Bilt se encuentran en esta página. Queremos garantizar su entera satisfacción en todo momento.

**IMPORTANTE:** En este manual, las referencias al lado *derecho* o *izquierdo* de la máquina se observan desde la posición del operador.

El fabricante del motor es el responsable de todas las cuestiones relacionadas con el rendimiento, potencia de salida, especificaciones, garantía y mantenimiento del motor. Para obtener mayor información consulte el Manual del Propietario / Operador entregado por el fabricante del motor, que se envía, en un paquete por separado, junto con su máquina.

## Índice

<b>Medidas importantes de seguridad</b> .....	<b>3</b>	<b>Servicio</b> .....	<b>26</b>
<b>Ensamblado y Configuración</b> .....	<b>8</b>	<b>Solución de Problemas</b> .....	<b>31</b>
<b>Controles y Características</b> .....	<b>10</b>	<b>Piezas de reemplazo</b> .....	<b>32</b>
<b>Funcionamiento</b> .....	<b>13</b>	<b>Aditamentos y accesorios</b> .....	<b>34</b>
<b>Mantenimiento y Ajustes</b> .....	<b>19</b>	<b>Garantía</b> .....	<b>Cubierta posterior</b>

## Registro de información de producto

Antes de configurar y operar su equipo nuevo, por favor localice la placa del modelo en el equipo y registre la información en el área situada a la derecha. Gire el conjunto del asiento hacia adelante para localizar la placa del modelo en la parte inferior del soporte de pivote del asiento. Necesitará esta información si tiene que solicitar soporte técnico a través de nuestro sitio web, el Departamento de Asistencia al Cliente, o de un distribuidor de servicio autorizado local.

### NÚMERO DE MODELO

--	--	--	--	--	--	--	--	--	--	--

### NÚMERO DE SERIE

--	--	--	--	--	--	--	--	--	--	--

## Asistencia al Cliente

**Por favor, NO devuelva la máquina al minorista o distribuidor sin ponerse en contacto primero con el Departamento de Asistencia al Cliente.**

En caso de tener problemas para montar este producto o de tener dudas con respecto a los controles, funcionamiento o mantenimiento de esta máquina, puede solicitar la ayuda de expertos. Elija entre las opciones que se presentan a continuación:

- ◇ Visite nuestro sitio web en [www.troybilt.com](http://www.troybilt.com)
- ◇ Llame a un representante de Asistencia al Cliente al (800) 828-5500 ó (330) 558-7220
- ◇ Escribanos a Troy-Bilt LLC • P.O. Box 361131 • Cleveland, OH • 44136-0019



**ADVERTENCIA:** La presencia de este símbolo indica que se trata de instrucciones importantes de seguridad que se deben respetar para evitar poner en peligro su seguridad personal y/o material y la de otras personas. Lea y siga todas las instrucciones de este manual antes de poner en funcionamiento esta máquina. Si no respeta estas instrucciones puede provocar lesiones personales. Cuando vea este símbolo. **¡TENGA EN CUENTAS LAS ADVERTENCIAS!**

## PROPOSICIÓN 65 DE CALIFORNIA



**ADVERTENCIA:** El escape del motor de este producto, algunos de sus componentes y algunos componentes del vehículo contienen o liberan sustancias químicas que el estado de California considera que pueden producir cáncer, defectos de nacimiento u otros problemas reproductivos.



**ADVERTENCIA:** Los bornes de la batería y los accesorios afines contienen plomo y compuestos de plomo, sustancias químicas que según lo establecido por el Estado de California causan cáncer y daños en el sistema reproductivo. *Lávese las manos después de estar en contacto con estos componentes.*



**PELIGRO:** Esta máquina está diseñada para ser utilizada respetando las normas de seguridad contenidas en este manual. Al igual que con cualquier tipo de equipo motorizado, un descuido o error por parte del operador puede producir lesiones graves. Esta máquina es capaz de amputar manos y pies y de arrojar objetos con gran fuerza. De no respetar las instrucciones de seguridad siguientes se pueden producir lesiones graves o la muerte.

## FUNCIONAMIENTO GENERAL

1. Lea, entienda y cumpla todas las instrucciones incluidas en la máquina y en los manuales antes de intentar montarla y utilizarla. Guarde este manual en un lugar seguro para consultas futuras y periódicas, así como para solicitar repuestos.
2. Familiarícese con todos los controles y con el uso adecuado de los mismos. Sepa cómo detener la máquina y desactivar los controles rápidamente.
3. No permita nunca que los niños menores de 14 años utilicen esta máquina. Los niños de 14 años en adelante deben leer y entender las instrucciones de operación y normas de seguridad contenidas en este manual, y en la máquina y deben ser entrenados y supervisados por un adulto.
4. Nunca permita que los adultos operen esta máquina sin recibir antes la instrucción apropiada.
5. Para ayudar a evitar el contacto con las cuchillas o una lesión por algún objeto que sea arrojado, mantenga a los observadores, a los ayudantes, niños y mascotas alejados al menos 25 metros de la máquina mientras está en funcionamiento. Detenga la máquina si alguien se acerca.
6. Inspeccione minuciosamente el área donde utilizará el equipo. Retire todas las piedras, palos, cables, huesos, juguetes y otros objetos extraños que podrían ser recogidos y arrojados por la acción de las cuchillas. Los objetos arrojados por la máquina pueden producir lesiones graves.
7. Planifique el patrón de corte del césped que ha de seguir para evitar la descarga de material hacia los caminos, las veredas, los observadores, etc. Evite además descargar material contra las paredes u obstrucciones que podrían hacer que el material descargado rebote contra el operador.
8. Para protegerse los ojos utilice siempre anteojos o antiparras de seguridad mientras opera la máquina o mientras la ajusta o repara. Los objetos arrojados que rebotan pueden producir lesiones oculares graves.
9. Utilice zapatos de trabajo resistentes, de suela fuerte, así como pantalones y camisas ajustados. Las prendas sueltas o las alhajas pueden quedar atrapadas en las piezas móviles. Nunca opere la máquina descalzo o con sandalias.
10. Esté atento a la cortadora y a la dirección de la descarga de los aditamentos y no apunte a nadie. Nunca haga funcionar la cortadora de césped sin que estén colocados la cubierta de descarga o todo el colector de recortes de césped.
11. No ponga las manos o los pies cerca de las piezas rotatorias o debajo de la plataforma de corte. El contacto con las cuchillas puede producir la amputación de manos y pies.

12. Una cubierta de descarga faltante o dañada puede provocar el contacto con la cuchilla o lesiones por objetos arrojados.
13. Detenga la(s) cuchilla(s) cuando atraviere senderos, sendas o caminos de grava y cuando no esté cortando el césped.
14. Vigile el tránsito vehicular cuando esté operando cerca de o en cruces de caminos. Esta máquina no debe utilizarse en la vía pública.
15. No opere esta máquina bajo los efectos del alcohol o de drogas.
16. Corte el césped solamente con luz de día o con una buena luz artificial.
17. Nunca transporte pasajeros.
18. Retroceda lentamente. Siempre mire hacia abajo y hacia atrás antes y mientras retrocede, para evitar accidentes. Esté atento y vigile la función del sistema de seguridad que corta la energía de las cuchillas al conducir marcha atrás. Si no funciona correctamente, póngase en contacto con un distribuidor autorizado de Troy-Bilt para que inspeccionen y reparen el sistema de seguridad.
19. Reduzca la velocidad antes de dar la vuelta. Opere la máquina suavemente. Evite la operación errática y la velocidad excesiva.
20. Desenganche la(s) cuchilla(s), coloque el freno de estacionamiento, detenga el motor y espere hasta que la(s) cuchilla(s) se detenga(n) por completo antes de retirar el colector de césped, vaciar los recortes, destapar el canal, retirar restos de césped o desechos, o hacer cualquier ajuste.
21. Nunca deje la máquina en funcionamiento sin vigilancia. Apague siempre las cuchillas, coloque las palancas de control de transmisión en neutral, coloque el freno de mano, detenga el motor y retire la llave antes de bajarse del vehículo.
22. Tenga sumo cuidado al cargar o descargar la máquina en un remolque o camión. Esta unidad no debe conducirse en ascenso o descenso de rampas, porque podría ladearse y provocar lesiones personales graves. En las rampas la máquina se debe empujar manualmente para cargarla o descargarla correctamente.
23. El silenciador y el motor se calientan y pueden causar quemaduras. No los toque.
24. Revise el espacio libre por encima de la cabeza antes de conducir debajo de las ramas bajas de árboles, cables, entradas de puertas, etc. en los cuales el operador podría atorarse o ser tirado fuera de la máquina, lo cual podría resultar en lesiones graves.
25. Desenganche todos los embragues de los accesorios, coloque el freno de mano en posición 'ON' y mueva las palancas de control de transmisión totalmente hacia afuera a la posición neutral antes de intentar arrancar la máquina.
26. La máquina está diseñada para cortar césped residencial normal, con una altura no mayor a 10 pulgadas. No intente cortar césped demasiado crecido, seco (por ej., pastura) ni pilas de hojas secas. El césped y las hojas secas pueden entrar en contacto con el escape del motor y/o acumularse en la plataforma de la cortadora de césped, convirtiéndose en un peligro de incendio.
27. Utilice solamente accesorios y aditamentos aprobados para esta máquina por el fabricante de la misma. Lea, comprenda y siga todas las instrucciones proporcionadas con los accesorios o aditamentos aprobados.
28. Los datos estadísticos muestran que los operadores de 60 años en adelante están involucrados en un alto porcentaje de lesiones relacionadas con tractores cortacésped. Estos operadores deben evaluar su capacidad para operar el tractor cortacésped en forma suficientemente segura para protegerse ellos mismos y a los demás contra lesiones graves.
29. Si se presentan situaciones que no están previstas en este manual, tenga cuidado y use el sentido común. Si necesita ayuda, póngase en contacto con su representante de asistencia al cliente.

### Funcionamiento en pendientes

Las pendientes son un factor importante relacionado con accidentes por derrape y vuelcos que pueden producir lesiones graves e incluso la muerte. La operación en pendiente requiere mayor precaución. Si no puede retroceder en la pendiente o si no se siente seguro, no realice ninguna operación de corte.

Para su seguridad, use el indicador de pendientes que se incluye como parte de este manual para medir la pendiente antes de operar la máquina en una zona inclinada. Si la pendiente es mayor de 15 grados según el medidor, no opere esta máquina en ese sector, pues podría causar lesiones graves.

### Haga lo siguiente:

1. Corte de forma transversal a la pendiente, no hacia arriba ni hacia abajo. Tenga mucho cuidado cuando al cambiar de dirección en pendiente.
2. Esté atento a los hoyos, surcos, baches, rocas u otros objetos ocultos. El terreno desnivelado puede voltear la máquina. El césped alto puede ocultar obstáculos.
3. Vaya a baja velocidad. Elija una velocidad lo suficientemente baja, de modo que no tenga que detenerse mientras está en la pendiente. Evite arrancar o detenerse en una pendiente. Si los neumáticos no pueden mantener la tracción, desenganche las cuchillas y avance lentamente y con cuidado bajando la pendiente.
4. Siga las recomendaciones del fabricante para los pesos o contrapesos de las ruedas, para mejorar la estabilidad de la máquina.
5. Tenga especial cuidado con los colectores de césped u otros aditamentos. Los mismos pueden modificar la estabilidad de la máquina.
6. Haga que todos los movimientos en las pendientes sean lentos y graduales. No cambie repentinamente la velocidad ni la dirección. La aceleración o la reducción repentina de velocidad puede hacer que el frente de la máquina se levante y dé una voltereta hacia atrás, lo que podría producir lesiones graves.

### No haga lo siguiente:

1. No gire en pendiente a menos que sea necesario; si lo hace, gire lentamente cuesta arriba y tenga sumo cuidado al girar.
2. No corte el césped cerca de barrancas, zanjas o terraplenes. La cortadora de césped puede volcarse repentinamente si una de las ruedas está sobre el borde de un acantilado, zanja o si un borde se desmorona.
3. No intente estabilizar la máquina poniendo el pie en el suelo.
4. No utilice un colector de césped en pendientes empinadas.
5. No pise el césped húmedo. Una menor tracción podría causar derrapes.
6. No remolque cargas pesadas detrás de los aditamentos (carrito de basura cargado, podadora de rodillos, etc) en pendientes mayores de 5 grados. Cuando se desplaza pendiente abajo, el peso adicional tiende a empujar el tractor y puede hacer que se pierda el control del mismo (por ejemplo, el tractor se puede acelerar, se reduce la capacidad para frenar y maniobrar, los accesorios pueden plegarse como un cortaplumas y hacer que el tractor vuelque).



## Niños

1. Pueden ocurrir accidentes trágicos si el operador no está atento a la presencia de niños. Por lo general, los niños se sienten atraídos por este tipo de máquinas y su funcionamiento. No entienden los riesgos ni los peligros. Nunca suponga que los niños permanecerán en el mismo lugar donde los vio por última vez.
  - a. Mantenga a los niños fuera del área de trabajo y bajo estricta vigilancia de un adulto responsable además del propio operador.
  - b. Esté alerta y apague la máquina si un niño ingresa al área.
  - c. Para evitar accidentes al retroceder, siempre mire hacia atrás y abajo por si hay niños.
  - d. Nunca transporte niños, aún con las cuchillas apagadas. Podrían caerse y resultar gravemente heridos o interferir con la operación segura de la máquina.
  - e. Tenga extrema precaución cuando se aproxime a esquinas ciegas, portales, arbustos, árboles u otros objetos que puedan impedirle ver a un niño que se cruce en el recorrido de la máquina.
  - f. Mantenga a los niños alejados de los motores en marcha o calientes. Pueden sufrir quemaduras con un silenciador caliente.
  - g. Retire la llave cuando deje la máquina sin vigilancia, evite que una persona sin autorización la maneje.
2. No permita nunca que los niños menores de 14 años utilicen esta máquina. Los niños de 14 años en adelante deben leer y entender las instrucciones de operación y normas de seguridad contenidas en este manual, y en la máquina y deben ser entrenados y supervisados por un adulto.

## Remolque

1. Remolque únicamente con una máquina que cuente con un enganche diseñado para remolcar. No acople equipo remolcado excepto en el punto de enganche.
2. Siga las recomendaciones del fabricante en lo que respecta a los límites de peso de los equipos a remolcar y al remolque en pendientes.
3. Nunca permita la presencia de niños u otras personas dentro o sobre los equipos remolcados.
4. En las pendientes, el peso del equipo remolcado puede causar pérdida de tracción y pérdida de control de la máquina.
5. Desplácese lentamente y deje distancia adicional para frenado.
6. No cambie a transmisión neutral para descender.

## Servicio

### Manejo seguro de la gasolina:

1. Para evitar lesiones personales o daños materiales tenga mucho cuidado cuando trabaje con gasolina. **La gasolina es sumamente inflamable y sus vapores pueden causar explosiones.** Se puede lesionar gravemente si derrama gasolina sobre usted o sobre la ropa, ya que ésta se puede incendiar. Lávese la piel y cámbiese de ropa de inmediato.
  - a. Utilice sólo los recipientes para gasolina autorizados.
  - b. Nunca llene los recipientes en el interior de un vehículo o camión o caja de remolque con recubrimiento plástico. Coloque siempre los recipientes en el piso y lejos del vehículo antes de realizar la carga.

- c. Cuando sea factible, retire el equipo a gasolina del camión o remolque y llénelo en el suelo. Si esto no es posible, llene el equipo en un remolque con un contenedor portátil, en vez de con una boquilla dispensadora de gasolina.
- d. Mantenga la boquilla de llenado en contacto con el borde del depósito de combustible o con la abertura del recipiente en todo momento, hasta terminar la carga. No utilice un dispositivo de boquilla de apertura/cierre.
- e. Apague todos los cigarrillos, cigarrillos, pipas y otras fuentes de combustión.
- f. Nunca cargue combustible en la máquina en un espacio cerrado.
- g. Nunca saque la tapa de la gasolina ni agregue combustible mientras el motor está caliente o en marcha. Deje que el motor se enfríe por lo menos dos minutos antes de volver a cargar combustible.
- h. Nunca llene en exceso el depósito de combustible. Llene el tanque no más de ½ pulgada por debajo de la base del cuello del tapón de carga, para dejar espacio para la expansión del combustible.
- i. Vuelva a colocar la tapa de la gasolina y ajústela bien.
- j. Limpie el combustible que se haya derramado sobre el motor y el equipo. Traslade la máquina a otra zona. Espere 5 minutos antes de encender el motor.
- k. Para reducir el riesgo de incendio, mantenga la máquina limpia de pasto, hojas y de acumulación de otros residuos. Limpie los derrames de aceite o combustible y saque todos los residuos embebidos en combustible.
- l. Nunca guarde la máquina o el recipiente de combustible en un espacio cerrado donde haya fuego, chispas o luz piloto, como por ejemplo de calentadores de agua, calefactores de ambientes, hornos, secadores de ropa u otros aparatos a gas.
- m. Deje que la máquina se enfríe cinco minutos por lo menos antes de guardarla.

## Servicio general

1. Nunca encienda el motor en espacios cerrados o en una zona con poca ventilación. El escape del motor contiene monóxido de carbono, un gas inodoro y letal.
2. Antes de limpiar, reparar o inspeccionar la máquina, compruebe que la(s) cuchilla(s) y todas las partes en movimiento se hayan detenido. Desconecte el cable de la bujía y póngalo haciendo masa contra el motor para evitar que se encienda accidentalmente.
3. Revise periódicamente para asegurarse que las cuchillas se detengan por completo en aproximadamente cinco (5) segundos después de accionar el control de desenganche de las mismas. Si las cuchillas no se detienen dentro de este lapso de tiempo, su unidad deberá ser reparada por su distribuidor de servicio autorizado Troy-Bilt.
4. Controle periódicamente el funcionamiento del sistema de bloqueo de seguridad, como se describe más adelante en este manual. Si el sistema de bloqueo de seguridad no funciona correctamente, pídale a su distribuidor autorizado de Troy-Bilt que le haga un service profesional.

5. Revise los pernos de montaje de la(s) cuchilla(s) y del motor a intervalos frecuentes para verificar que estén bien apretados. Además, inspeccione visualmente la(s) cuchilla(s) en busca de daños (por ejemplo, desgaste excesivo, abolladuras, rajaduras, etc.). Reemplace la(s) cuchilla(s) únicamente con las cuchillas del fabricante del equipo original (O.E.M.) listadas en este manual. "El uso de piezas que no cumplen con las especificaciones del equipo original podría resultar en un rendimiento incorrecto y además poner en riesgo la seguridad".
6. Las cuchillas de las podadoras son muy afiladas. Envuelva la cuchilla o utilice guantes y extreme las precauciones cuando efectúe mantenimiento.
7. Mantenga todos los pernos, tuercas y tornillos bien ajustados para asegurarse de que la máquina se encuentra en condiciones seguras de operación.
8. Nunca modifique el sistema de bloqueo de seguridad ni otros mecanismos de seguridad. Controle periódicamente que funcionen correctamente.
9. Después de golpear con algún objeto extraño, detenga el motor, desconecte el cable de la bujía y conecte el motor a masa. Inspeccione minuciosamente la máquina para ver si está dañada. Repare el daño antes de arrancar y utilizar la máquina.
10. Nunca trate de hacer ajustes o reparaciones a la máquina mientras el motor está en marcha.
11. Los componentes del colector de césped y la cubierta de descarga, están sujetos a desgaste y daños que podrían dejar expuestas partes móviles o permitir que se arrojen objetos. Para proteger su seguridad, verifique frecuentemente todos los componentes y reemplácelos inmediatamente sólo con piezas del fabricante del equipo original, listados en este manual. "El uso de piezas que no cumplen con las especificaciones del equipo original podría resultar en un rendimiento incorrecto y además poner en riesgo la seguridad".
12. No cambie la configuración del regulador del motor ni lo opere a sobrevelocidad. El regulador del motor controla la velocidad máxima de funcionamiento seguro del motor.
13. Mantenga o reemplace las etiquetas de seguridad e instrucciones según sea necesario.
14. Respete las normas referentes a la disposición correcta y las reglamentaciones sobre gasolina, aceite, etc. para proteger el medio ambiente.

## No modifique el motor

Para evitar lesiones graves o la muerte, no modifique el motor bajo ninguna circunstancia. Si cambia la configuración del regulador del motor el motor puede descontrolarse y operar a velocidades peligrosas. Nunca modifique la configuración de fábrica del regulador del motor.

## Aviso referido a emisiones

Los motores que están certificados y cumplen con las regulaciones de emisiones federales EPA y de California para SORE (Equipos pequeños todo terreno) están certificados para operar con gasolina común sin plomo y pueden incluir los siguientes sistemas de control de emisiones: Modificación de motor (EM) y catalizador de tres vías (TWC) si están equipados de esa manera.

## Amortiguador de chispas



**ADVERTENCIA:** Esta máquina está equipada con un motor de combustión interno y no debe ser utilizada en o cerca de un terreno agreste cubierto por bosque, malezas o hierba excepto que el sistema de escape del motor esté equipado con un amortiguador de chispas que cumpla con las leyes locales o estatales correspondientes (en caso de existir).

Si se utiliza un amortiguador de chispas el operador lo debe mantener en condiciones de uso adecuadas. En el Estado de California las medidas anteriormente mencionadas son exigidas por ley (Artículo 4442 del Código de Recursos Públicos de California). Es posible que existan leyes similares en otros estados. Las leyes federales se aplican en territorios federales. Puede conseguir el amortiguador de chispas para el silenciador a través de su distribuidor autorizado de motores o poniéndose en contacto con el departamento de servicios, P.O. Box 361131 Cleveland, Ohio 44136-0019.

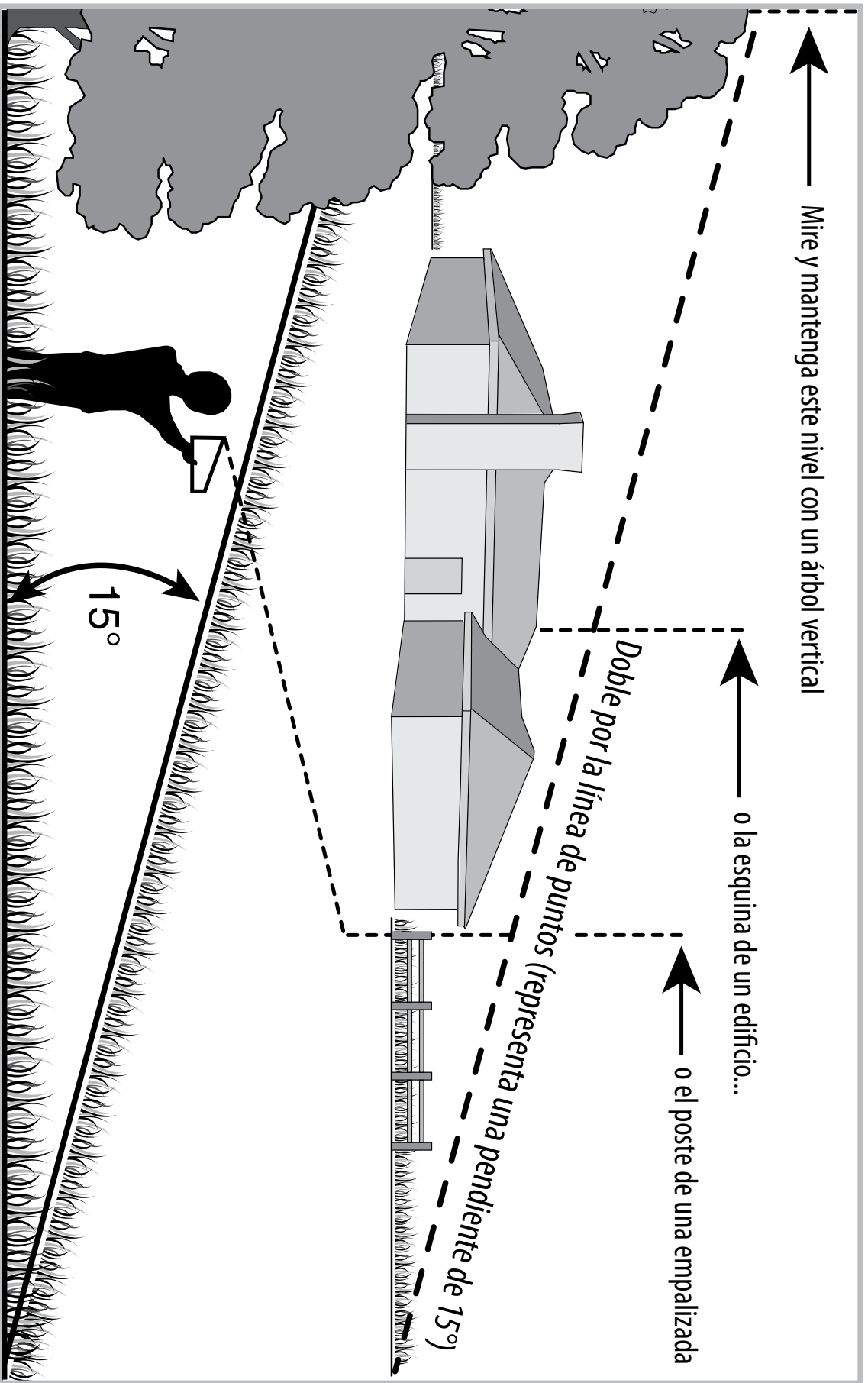
## Vida útil media

Según la Comisión de Seguridad de Productos para el Consumidor de los Estados Unidos (CPSC) y la Agencia de Protección Ambiental de los Estados Unidos (EPA), este producto tiene una *vida útil media* de siete (7) años ó 270 horas de funcionamiento. Al finalizar la *vida útil media*, adquiera una máquina nueva o haga inspeccionar anualmente ésta por un distribuidor de servicio autorizado para cerciorarse de que todos los sistemas mecánicos y de seguridad funcionan correctamente y no tienen excesivo desgaste. Si no lo hace, pueden producirse accidentes, lesiones o muerte.



**ADVERTENCIA:** Su responsabilidad—Restrinja el uso de esta máquina motorizada a las personas que lean, comprendan y respeten las advertencias e instrucciones que figuran en este manual y en la máquina.

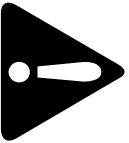
**GUARDE ESTAS INSTRUCCIONES**



**Use esta página como guía para determinar en qué pendientes no puede operar el tractor de manera segura.**

**ADVERTENCIA:** No opere la cortadora de césped en dichas pendientes. No corte en inclinaciones mayores de 15 grados (elevación aproximada de 2 1/2 pies por cada 10 pies). El tractor cortacésped podría voltearse y causar lesiones graves. En las pendientes opere con los tractores cortacésped hacia arriba y abajo, nunca de forma transversal.

**CONDUZCA** los tractores con radio de giro cero (RZT) de forma transversal a las pendientes en lugar de hacerlo hacia arriba o hacia abajo. En lo posible comience la primera pasada de forma transversal a la base de la pendiente y gire hacia arriba al terminar cada pasada.



## Contenido del cajón

- Un tractor corta césped
- Un tubo de drenaje de aceite
- Un acoplador de manguera para lavado de plataforma
- Un Manual del operador del tractor RZT
- Un Manual del operador del motor Kohler
- Una tarjeta para registrar el producto

## PREPARACIÓN DEL TRACTOR

Retire el material de embalaje superior del pálet de embarque, y corte cualquier banda o tira que fije el tractor al pálet.

Use la manija de elevación para levantar la plataforma a su posición más alta. Enganche las varillas de derivación de la transmisión que se encuentran a cada lado del tractor; luego haga rodar el tractor con cuidado fuera del pálet de embarque. Desenganche las varillas de derivación. Vea la Figura 3-1.

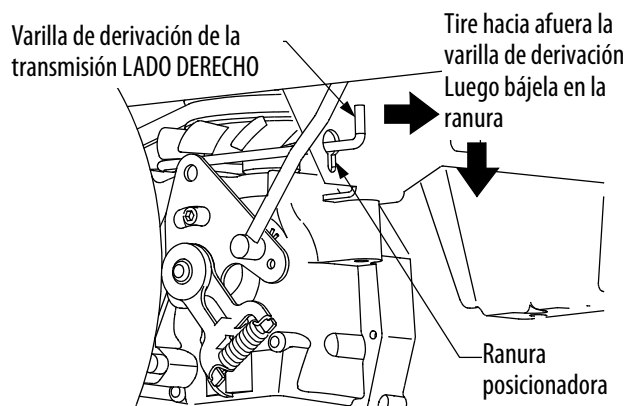


Figura 3-1

Retire el adaptador del pico del sistema de lavado de la plataforma de la bolsa manual y guárdelo para uso futuro.

## Instale el Asiento del Operador

El asiento del operador se insertó parcialmente en el soporte de pivote del asiento, para el embarque. Para instalar el asiento proceda de la siguiente manera:

1. Corte cualquiera de las tiras que fijan el conjunto del asiento y las palancas de control de la transmisión al tractor. Quite cualquier material de empaque.

**NOTA:** El asiento se insertó parcialmente en las ranuras del soporte de pivote del asiento. Si el asiento no se desengancha del soporte de pivote al quitar el material de empaque, el soporte de pivote se puede hacer girar hacia arriba, colocando el asiento en su lugar según se describe en el paso 6. Si el asiento se desengancha del soporte de pivote, instálole según se indica en los pasos 2 a 6 inclusive.

2. Haga girar el soporte de pivote del asiento parcialmente hacia arriba. Vea la Figura 3-2.
3. Observe las ranuras de los separadores de ajuste del asiento unidas a la base del asiento, luego levante el asiento y colóquelo por encima y hacia la parte posterior del soporte de pivote.

4. Alinee las ranuras de los separadores de ajuste del asiento con los lados de las ranuras de ajuste del soporte de pivote.
5. Deslice los separadores de ajuste del asiento en las ranuras del soporte de pivote.
6. Siga empujando el asiento hacia adelante en el soporte de pivote hasta que el perno con reborde delantero/izquierdo del conjunto del asiento pase adelante del soporte de tope sobre el soporte de pivote del asiento. Vea la Figura 3-2.

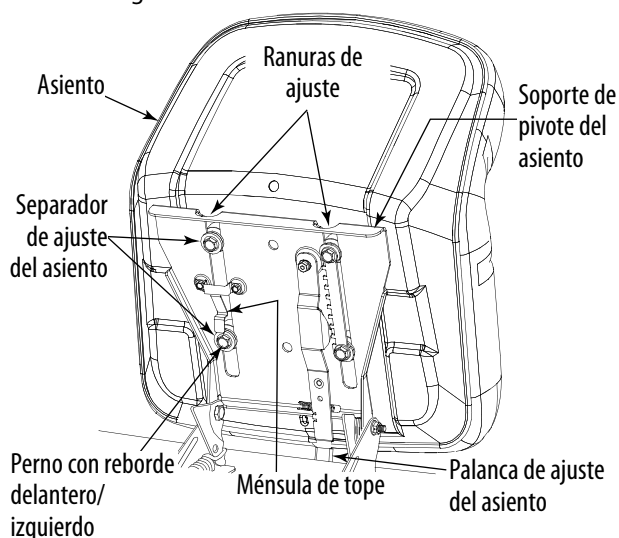


Figura 3-2

Consulte "Ajuste del asiento del operador" en Mantenimiento y ajustes para obtener las instrucciones correspondientes.

## Posición de las palancas de control de la transmisión

Las palancas de control de la transmisión del tractor se bajan para el embarque. Las tuercas de seguridad con brida, los tornillos hexagonales y las arandelas planas que normalmente fijan las palancas de control en su posición operativa se aflojan e instalan en los orificios ranurados de las palancas de control para el envío. Las palancas de control se deben volver a colocar en su posición para hacer funcionar el tractor. Para volver a colocar las palancas de control en posición de operación haga lo siguiente:

1. Quite el tornillo hexagonal, la arandela plana y la tuerca de seguridad con brida de la ranura de una de las palancas de control de transmisión.
2. Levante y gire esa palanca de control hacia arriba hasta que el orificio ranurado del soporte de la palanca se alinee con uno de los orificios del soporte de pivote. Vea la Figura 3-3.

- Deslice la arandela plana hacia el tornillo hexagonal. Desde afuera, inserte el tornillo hexagonal con arandela a través de la ranura de la palanca de control y el orificio del soporte de pivote. Fije con la tuerca de seguridad con brida. Vea la Figura 3-3.

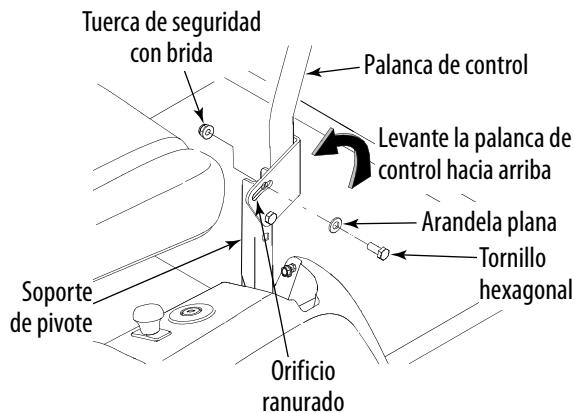


Figura 3-3

- Observe la posición relativa de la palanca de control respecto del soporte de pivote, luego repita los pasos previos para volver a colocar en posición la otra palanca de control en aproximadamente la misma posición.
- Consulte "Ajuste de las palancas de control de transmisión" en Mantenimiento y ajustes para obtener instrucciones sobre el ajuste final de las palancas.

### Coloque el paragolpes trasero en posición

Para fines de embarque el paragolpes trasero se rota hacia arriba desde su posición normal. Para repositonar el paragolpes trasero, consulte la Figura 3 y proceda de la siguiente manera:

- Desde el interior del bastidor del tractor, justo detrás de los neumáticos traseros, quite los pasadores de chaveta internos de los pasadores de horquilla que fijan el paragolpes a cada lado del bastidor.
- Mientras sostiene el paragolpes trasero, corte la unión del cable que asegura el paragolpes a la ménsula de elevación del motor y retire los pasadores de horquilla de cada lado. Vea la Figura 3-4.

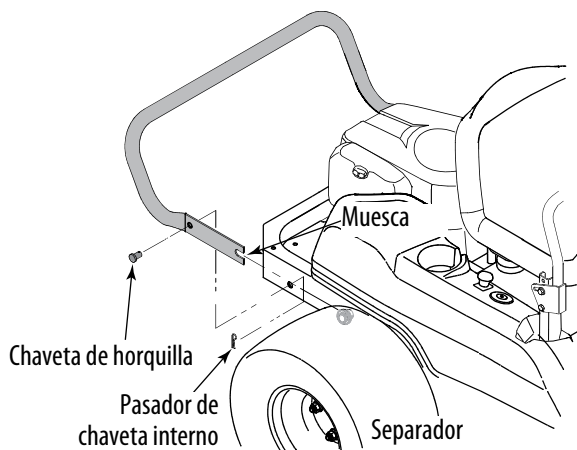


Figura 3-4

- Extraiga el paragolpes y repositone para alinear la muesca en cada extremo del paragolpes con el separador a cada lado del bastidor. Deslice las muescas del paragolpes sobre los separadores. Vea la Figura 3-4.

### Conecte la batería



**¡ADVERTENCIA!** Los bornes de la batería, terminales y accesorios contienen plomo y compuestos de plomo. Lávese las manos después de estar en contacto con estos componentes.

El tractor se embarca con una batería sellada activada, con el cable de batería positivo conectado en fábrica. El cable negativo se debe conectar.

**NOTA:** Asegúrese de que el interruptor de encendido está en la posición "OFF" (apagado) antes de unir el cable de la batería.

- Quite el tapón protector (en caso de haber) del borne negativo de la batería y saque el tornillo hexagonal y la tuerca del extremo libre del cable de batería negativo.
- Conecte el cable de batería negativo (grueso y de color negro) al borne negativo (NEG) de la batería usando el tornillo hexagonal y la tuerca. Deslice la cubierta negra del borne sobre el borne negativo de la batería.

### Baje el deflector del canal de descarga de la plataforma



**¡ADVERTENCIA!** Nunca opere la plataforma de la cortadora sin el deflector de descarga instalado y en posición baja.

Inspeccione la plataforma de la cortadora para ver si hay una traba de seguridad (con etiqueta) que puede estar sujetando el deflector del canal hacia arriba para el envío. Si hay una traba, se la debe extraer antes de hacer funcionar el tractor. Mientras sostiene el deflector del canal de descarga totalmente hacia arriba, extraiga la traba de seguridad utilizada en el envío tomándola y rotándola en el sentido de las agujas del reloj. Baje el deflector del canal de descarga. Vea la Figura 3-5.

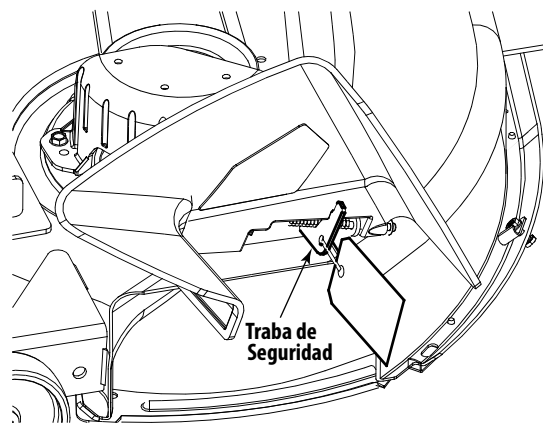


Figura 3-5

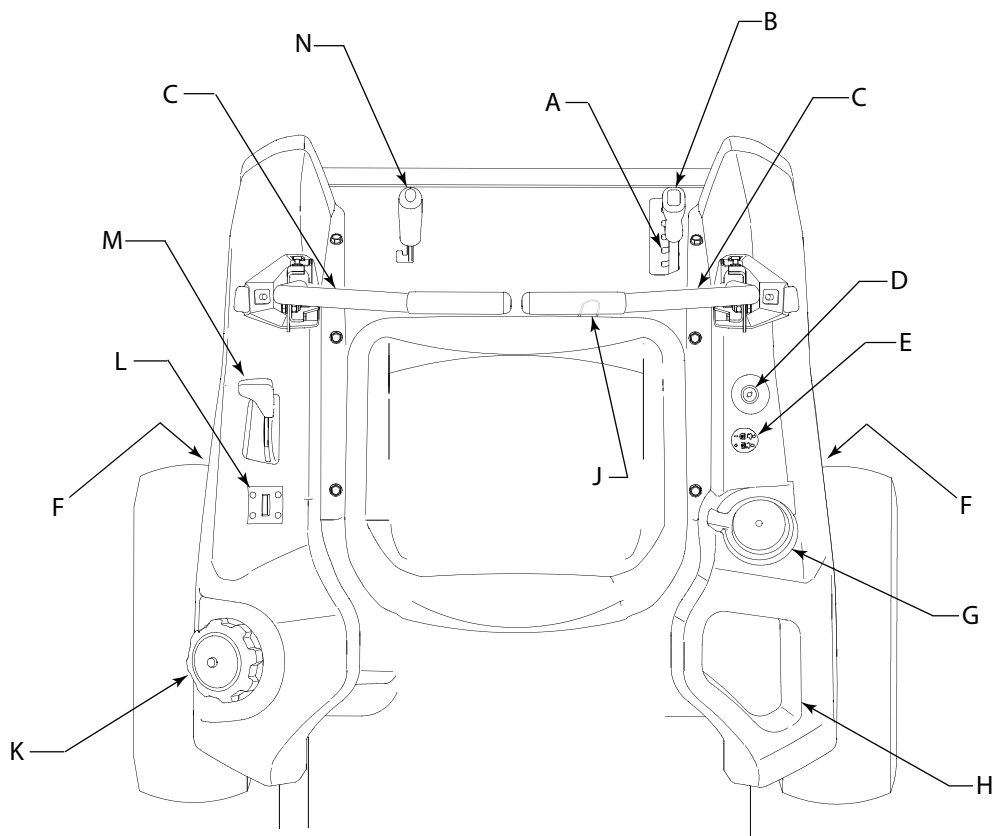


Figura 4-1

- A. Posicionamiento de la altura de la plataforma
- B. Manija de elevación de la plataforma
- C. Palancas de control de transmisión LADO DERECHO y LADO IZQUIERDO
- D. Interruptor de encendido
- E. Interruptor de potencia de arranque
- F. Varilla de derivación de la transmisión (no se ve)
- G. Portacubeta
- H. Bandeja de almacenamiento
- J. Palanca de ajuste del asiento (no se ve)
- K. Tapón del depósito de combustible
- L. Medidor horario/Panel indicador
- M. Control del regulador
- N. Palanca de enganche del freno de mano

**NOTA:** Las referencias a IZQUIERDA, DERECHA, ADELANTE, Y ATRÁS indican esa posición desde el asiento del operador en el tractor, mirando hacia adelante.

## A. Posicionamiento de la altura de la plataforma

El posicionamiento de la altura de la plataforma consiste en seis muescas de posición ubicadas en la parte delantera del marco del asiento, del lado derecho. Cada muesca corresponde a 1/2 pulgada de variación en la posición de la altura de la plataforma, desde 1-1/2 pulgada en la muesca más baja hasta 4 pulgadas en la muesca más alta.

## B. Manija de elevación de la plataforma

La manija de elevación de la plataforma se encuentra adelante del marco del asiento, del lado derecho, y se utiliza para levantar y bajar la plataforma de la cortadora.

Tire de la manija hacia la izquierda para sacarla de la muesca y empuje hacia abajo para bajar la plataforma o hacia arriba para levantarla. Cuando alcance la altura deseada, mueva la manija de elevación hacia la derecha para que encaje totalmente en la muesca de posicionamiento.

## C. Palancas de control de transmisión LADO DERECHO y LADO IZQUIERDO

Las palancas de control del LADO DERECHO y del LADO IZQUIERDO se encuentran a cada lado del asiento del operador. Estas palancas abisagradas giran hacia afuera, hacia el espacio abierto, para permitir al operador sentarse en el asiento del tractor o descender del mismo. Las palancas deben estar totalmente abiertas y en posición neutral para arrancar el motor del tractor.

Cada palanca controla la transmisión respectiva del lado derecho o del lado izquierdo. En consecuencia, estas palancas controlan todos los movimientos del tractor. La conducción del tractor y la realización de maniobras con estas palancas de control difieren mucho de las funciones respectivas de los tractores convencionales, y es necesario practicar para poder dominar las mismas. Consulte **"Funcionamiento"** para obtener instrucciones sobre el uso de las palancas de control.

## D. Interruptor de encendido

El interruptor de encendido está ubicado en la consola del lado derecho, a la derecha del asiento del operador. El interruptor de encendido tiene tres posiciones, según se indica a continuación:

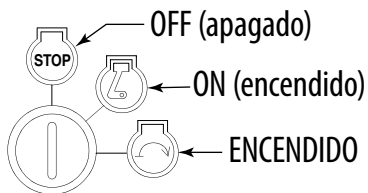


Figura 4-2

OFF - Se apagan el motor y el sistema eléctrico.

ON - Se activa el sistema eléctrico del tractor.

ARRANQUE- El motor de arranque enciende el motor. Suelte la llave apenas arranca el motor.

**NOTA:** Para evitar el arranque accidental y/o la descarga de la batería, quite la llave del interruptor de encendido cuando el tractor no se encuentra en uso.

## E. Interruptor de la potencia de arranque (PTO)

El interruptor de la potencia de arranque (PTO) está ubicado en la consola del lado derecho, a la derecha del asiento del operador.

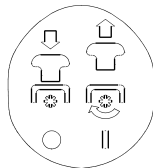


Figura 4-3

El interruptor de la potencia de arranque (PTO) hace funcionar el embrague eléctrico de potencia de arranque (PTO) montado en la base del cigüeñal del motor. Tire de la perilla del interruptor hacia arriba para enganchar el embrague de la potencia de arranque (PTO), o empuje la perilla hacia abajo para desenganchar el embrague.

Al arrancar el motor, el interruptor de la potencia de arranque (PTO) debe estar en posición "desenganchada".

## F. Varilla de derivación de la transmisión (no se ve)

Las varillas de derivación de la transmisión (una para cada transmisión, lado derecho y lado izquierdo) están ubicadas debajo de la plataforma del marco, justo dentro de cada rueda trasera.

Al estar enganchadas, las dos varillas abren una derivación dentro de las transmisiones hidrostáticas, lo cual permite empujar el tractor a mano a lo largo de distancias cortas. Consulte **Mantenimiento y ajustes** para obtener instrucciones sobre el uso del dispositivo de derivación.



**PRECAUCIÓN:** Nunca remolque su tractor. Si se remolca el tractor con las ruedas traseras apoyadas en el suelo se pueden causar daños graves a las transmisiones.

## G. Portacubeta

La portacubeta está ubicada hacia la parte trasera de la consola del lado derecho, a la derecha del asiento del operador.

## H. Bandeja de almacenamiento

La bandeja de almacenamiento está ubicada en la parte posterior de la consola del lado derecho.

## J. Palanca de ajuste del asiento (no se ve)

La palanca de ajuste del asiento está ubicada debajo del asiento, adelante a la derecha. La palanca permite el ajuste del asiento del operador, hacia adelante o hacia atrás. Consulte **Mantenimiento y ajustes** para obtener instrucciones sobre el ajuste de la posición del asiento.

## K. Tapón del depósito de combustible

El tapón del depósito de combustible está ubicado en la parte trasera de la consola del lado izquierdo. Gire el tapón en sentido contrario a las agujas del reloj para aflojarlo y retirarlo del depósito de combustible. Siempre vuelva a colocar el tapón de combustible bien ajustado en el depósito después de quitarlo.

**¡ADVERTENCIA!** Nunca realice la recarga de combustible en el depósito si el motor está en funcionamiento. Si el motor está caliente por haber funcionado hasta hace poco, déjelo enfriar varios minutos antes de cargar combustible. La gasolina es muy inflamable y podría salpicar el motor y causar un incendio.

## L. Medidor horario/Panél indicador

El medidor horario/ panel indicador está ubicado en la consola del lado izquierdo, a la izquierda del asiento del operador.

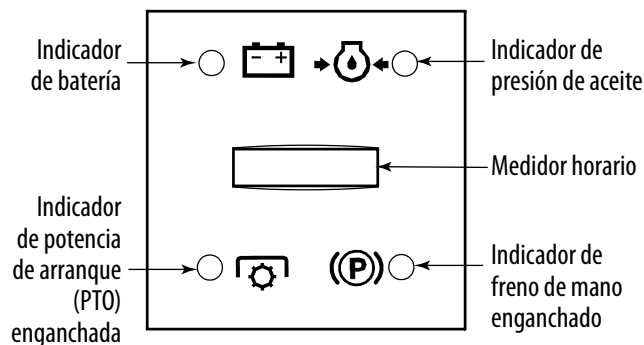


Figura 4-4

### Características del medidor horario

El medidor horario registra las horas que el tractor ha funcionado en el visor digital (dígito más cercano a las décimas de hora).

**NOTA:** El medidor horario se activa cuando el interruptor de encendido se coloca en posición "ON" (encendido). Registre las horas reales de operación para asegurar que se realicen todos los procedimientos de mantenimiento según las instrucciones de este manual y del manual del motor.

Cuando se gira la llave a la posición "ON" (encendido), el indicador de batería se ilumina brevemente y aparece el voltaje de la batería por unos segundos. El visor luego muestra las horas acumuladas.

El monitor indicador también le recuerda al operador los intervalos de mantenimiento para el cambio de aceite del motor. La pantalla de cristal líquido parpadea alternativamente, "CHG" (cambio), "OIL" (aceite) y las horas registradas durante cinco minutos, cada 50 horas de operación registradas. El intervalo de mantenimiento dura dos horas (desde 50-52,

100-102, 150-152, etc.) La pantalla de cristal líquido también parpadea según se describe más arriba, durante cinco minutos, cada vez que el motor del tractor se enciende durante el intervalo de mantenimiento. Respete los intervalos entre cada cambio de aceite según se indica en el manual del motor.

### Características del panel indicador

#### Indicador de batería (Consulte la Figura 4-4)

Se ilumina y muestra brevemente el voltaje de la batería cuando el interruptor de encendido se coloca en posición "ON" (encendido).

Se ilumina para indicar que el voltaje de batería ha descendido por debajo de 11,5 (+0,5/-1,0) voltios. El voltaje de la batería también se muestra en el medidor horario. Si este indicador y el visor se encienden durante la operación, controle la batería y el sistema de carga para detectar las causas posibles y/o póngase en contacto con el distribuidor Troy-Bilt.

#### Indicador de presión de aceite (Consulte la Figura 4-4)

Esta lámpara de advertencia indica que hay baja presión de aceite del motor. Si el indicador se enciende mientras el motor está funcionando, detenga el motor inmediatamente y controle para encontrar las causas posibles. No haga funcionar el motor mientras el indicador permanece iluminado. Póngase en contacto con el distribuidor Troy-Bilt para que se realice la inspección del tractor y del motor.

**NOTA:** El indicador de presión de aceite se puede iluminar cuando el interruptor de encendido se encuentra en posición ON (encendido), pero se debe apagar cuando arranca el motor.

#### Indicador de potencia de arranque (PTO) enganchada (Consulte la Figura 4-4)

Este indicador se ilumina cuando el interruptor de la potencia de arranque (PTO) se lleva hacia arriba a la posición "ENGANCHADA" y el interruptor de encendido se hace girar a la posición "ARRANQUE". Controle este indicador si el motor no arranca cuando el interruptor de encendido está en posición de "ARRANQUE". Si es necesario, coloque el interruptor de la potencia de arranque (PTO) en la posición "DESENGANCHADA".

#### Indicador de freno de mano enganchado (Consulte la Figura 4-4)

Este indicador se ilumina cuando el el freno de mano está en posición DESENGANCHADO y el interruptor de encendido se hace girar a la posición "ARRANQUE". Controle este indicador si el motor no arranca cuando el interruptor de encendido está en posición de "ARRANQUE". Si es necesario, coloque el freno de mano en la posición "ENGANCHADO".

Este indicador también se ilumina cuando se gira el interruptor de encendido a la posición "ARRANQUE" y las palancas de control de transmisión del lado derecho y/ del lado izquierdo se encuentran en una posición distinta de la totalmente neutral. Mueva las palancas de control totalmente hacia afuera.

### M. Control del regulador

El control del regulador está ubicado en la consola del lado izquierdo, a la izquierda del asiento del operador. Cuando se lo coloca en cierta posición, se mantiene una velocidad de motor uniforme.

Empuje la manija de control del regulador hacia adelante para aumentar la velocidad del motor. El tractor se ha diseñado para operar con el control del regulador en posición de velocidad rápida (aceleración máxima) de marcha del tractor con la plataforma de la cortadora enganchada.

Tire de la manija de control del regulador hacia atrás para reducir la velocidad del motor.

Comenzando el motor, empuje el control de regulador se manejan totalmente avanzado a la posición de estarter de motor. Después de comenzar el motor, mueva el mango de control hacia atrás a la posición RAPIDA.



CEBADOR

Este símbolo indica la posición de cebador



Este símbolo indica la posición de marcha rápida



Este símbolo indica la posición de marcha lenta

### N. Palanca de enganche del freno de mano

La palanca de enganche del freno de mano está ubicada hacia adelante/a la izquierda del marco del asiento, y se la usa para colocar el freno de mano.

Tire de la palanca totalmente hacia arriba y a la izquierda; luego bájela dentro de la ranura corta "J" para colocar el freno.

Tire de la palanca hacia arriba para sacarla de la ranura "J", y hacia la derecha; luego bájela completamente para desenganchar el freno de mano.

**IMPORTANTE:** Si las palancas de control de transmisión del lado izquierdo y del lado derecho no están totalmente abiertas en posición neutral al engancharse el freno de mano, el motor se detiene. El freno de mano se debe colocar en posición enganchado al arrancar el motor del tractor.

### Paragolpes trasero (no se muestra)

El tractor viene equipado con un paragolpes trasero desmontable. El paragolpes trasero proporciona protección a la parte trasera del bastidor del tractor y del motor durante los giros.

El paragolpes trasero debe ser extraído del tractor cuando se instala el kit de embolsado trasero. O, quizás desee extraer el paragolpes para reducir la longitud total del tractor. Para extraer el paragolpes trasero, proceda de la siguiente manera:

- Desde la superficie interior del bastidor del tractor, hacia atrás del neumático trasero en cualquiera de los dos lados del tractor, tire del pasador de chaveta interno del pasador de horquilla. Pase al otro lado del tractor y extraiga el pasador de chaveta interno del otro pasador de horquilla. Si es necesario consulte la Figura 3-4.
- Mientras sostiene el paragolpes trasero, extraiga el pasador de horquilla de los dos lados del paragolpes, y tire del paragolpes hacia atrás para extraerlo del bastidor del tractor.



## Seguridad general

- RECIBA LAS INSTRUCCIONES - Lea este manual del operador en su totalidad. Aprenda a operar esta máquina CON SEGURIDAD. No se arriesgue a quedar expuesto a LESIONES o a la MUERTE. Solamente se debe permitir operar este tractor a quienes se hayan familiarizado a fondo con el uso del mismo.
- Antes de arrancar el motor o de empezar a operar, familiarícese con los controles. El operador debe estar en el asiento del operador. El interruptor de la potencia de arranque (PTO) debe estar en posición desenganchada, el freno de mano enganchado y las palancas de control de transmisión del lado derecho y del lado izquierdo totalmente hacia afuera, en posición neutral.
- Mantenga todos los protectores en su lugar. Guarde distancia de las partes móviles.
- ¡NO SE PERMITE TRASLADAR PERSONAS EN EL TRACTOR! Mantenga a todas las personas y las mascotas a una distancia segura de la máquina. Siempre mire hacia atrás y hacia abajo a ambos lados del tractor antes de desplazarse marcha atrás.
- NO oriente la descarga de la cortadora hacia la gente.
- En lo posible evite las pendientes. Nunca opere en pendientes mayores de 15°. Las pendientes con mayor inclinación presentan condiciones de operación peligrosas. Los tractores pueden voltearse.
- Antes de dejar el asiento del operador: Desconecte la potencia de arranque (PTO), mueva las palancas de control de transmisión del lado derecho y del lado izquierdo totalmente hacia afuera en posición neutral, enganche el freno de mano, apague el motor y quite la llave de encendido. Antes de realizar el mantenimiento o la limpieza de la máquina, espere hasta que cese totalmente el movimiento.
- Opere las palancas de control de transmisión de forma pareja y evite realizar movimientos bruscos con las mismas al arrancar y detenerse. Mantenga las palancas de control con firmeza; no permita que las mismas vuelvan por sí solas a la posición neutral.
- Sea cuidadoso al operar cerca de rutas. Detenga el movimiento del tractor y espere a que pasen los vehículos antes de operar a lo largo de la ruta.
- No haga funcionar el tractor sin la plataforma de la cortadora. Si se quita la plataforma varía el equilibrio del tractor y éste podría voltearse.
- Evite operar en superficies de tracción inestables; tenga extrema precaución si la superficie es resbaladiza.
- Reduzca la velocidad antes de girar y deténgase completamente en cualquier maniobra de giro cero.
- No detenga ni estacione el tractor sobre materiales combustibles tales como pasto u hojas secas, desechos, etc.
- No llene el tanque de combustible con el motor en funcionamiento o si el mismo está caliente. Deje enfriar el motor varios minutos antes de la recarga de combustible. Apriete el tapón de combustible con firmeza.

## Antes de hacer funcionar el tractor

- Antes de hacer funcionar el tractor, lea este manual con atención para familiarizarse con el funcionamiento de todos los instrumentos y controles. El manual se preparó con la finalidad de ayudarlo a hacer funcionar y matener el tractor eficientemente.
- Se certifica que este motor funciona únicamente con gasolina sin plomo nueva y limpia. Para obtener el mejor resultado, llene el depósito de combustible únicamente con gasolina sin plomo limpia y fresca, en un surtidor que indique un octanaje igual a 87 o más.
- Se recomienda el uso de gasolina sin plomo porque deja menos depósitos en la cámara de combustión y reduce las emisiones de escape perjudiciales. No se recomienda el uso de gasolina con plomo; no se la debe usar en los lugares en los cuales las emisiones de escape se encuentran reguladas.

**NOTA:** *Compre gasolina en pequeñas cantidades. No utilice gasolina sobrante de la temporada anterior, para minimizar los depósitos de goma en el sistema de combustible.*

- El gasohol (hasta 10% de alcohol etílico, 90% de gasolina sin plomo por volumen) es un combustible aprobado. No se aprueba el uso de otras mezclas de gasolina/alcohol.
- El éter metílico terciario-butílico (MTBE) y las mezclas de gasolina sin plomo (hasta un máximo de 15% de MTBE por volumen) son combustibles aprobados. No se aprueba el uso de otras mezclas de gasolina/éter.
- Revise el nivel de aceite del motor.
- Limpie el filtro de aire si es necesario. Consulte el manual del motor.
- Controle la presión de inflado de los neumáticos.
- Ajuste el asiento para la mayor comodidad del operador, para una adecuada visibilidad y para mantener el control completo del tractor.

## Sistema de bloqueo de seguridad

Este tractor está equipado con un sistema de bloqueo de seguridad para protección del operador. Si el sistema de bloqueo funciona mal, no se debe hacer funcionar el tractor. Póngase en contacto con su distribuidor autorizado de Troy-Bilt.

- El sistema de bloqueo de seguridad evita que el motor intente arrancar o arranque a menos que se muevan las palancas de control de transmisión del lado derecho y del lado izquierdo totalmente hacia afuera en posición neutral, se enganche el freno mano y se desenganche la potencia de arranque (PTO).
- Para evitar un movimiento brusco al desenganchar el freno de mano, el sistema de bloqueo de seguridad apaga el motor si las palancas de control de transmisión del lado derecho y/o del lado izquierdo se mueven a una posición distinta de la totalmente neutral con el freno de mano enganchado.

- Si el operador abandona su asiento antes de colocar el freno de mano, el sistema de bloqueo de seguridad apaga el motor.
- Si el operador abandona su asiento con la potencia de arranque (PTO) enganchada, se encuentre o no colocado el freno de mano, el sistema de bloqueo de seguridad apaga el motor.

**NOTA:** El interruptor de la potencia de arranque (PTO) se debe mover a la posición "OFF" (apagado) para volver a arrancar el motor.

- El sistema de bloqueo de seguridad apaga la potencia de arranque (PTO) y las cuchillas de la cortadora se detienen si las dos palancas de control de transmisión se mueven a la posición de marcha atrás. La potencia de arranque (PTO) se vuelve a engancharse cuando una o las dos palancas se mueven nuevamente a la posición neutral o de marcha directa.

## Encendido del motor



**¡ADVERTENCIA!** Esta unidad está equipada con un sistema de bloqueo de seguridad para protección del operador. No opere el tractor si alguna parte del sistema de bloqueo funciona mal. Controle periódicamente las funciones del sistema de bloqueo para verificar que funcionen adecuadamente.



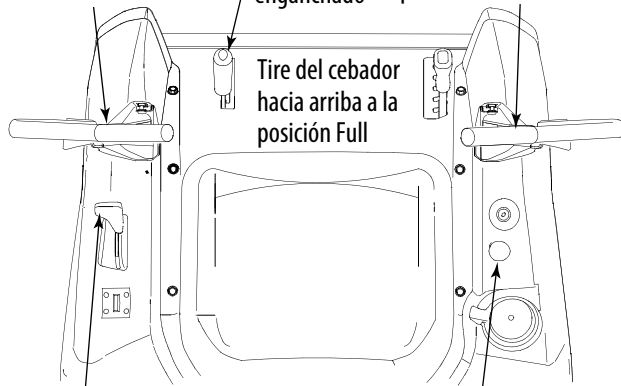
**¡ADVERTENCIA!** Por razones de seguridad personal, el operador debe estar sentado en el asiento del tractor al arrancar el motor.

- El operador debe estar sentado en el asiento del tractor.
- Coloque el freno de mano. Vea la Figura 5-1.
- Verifique que el interruptor de la potencia de arranque (PTO) se encuentre en posición desenganchada (abajo). Vea la Figura 5-1.
- Tire de la perilla de control del cebador hacia arriba a la posición cebador máximo. **NOTA:** Si el motor está caliente, tal vez no sea necesario cebarlo.
- Mueva el control del regulador a distancia media entre las posiciones VELOCIDAD LENTA y VELOCIDAD RÁPIDA.

Palanca de control del lado izquierdo hacia afuera en posición neutral

Freno de mano enganchado

Palanca de control del lado derecho hacia afuera en posición neutral



Control del regulador a la posición "Mid" (intermedia)

Interruptor de la potencia de arranque (PTO) en posición baja (desenganchada)

Figura 5-1

- Gire la llave de encendido en el sentido de las agujas del reloj a la posición "ARRANQUE" y suéltela cuando arranque el motor; sin embargo, no dé arranque continuamente durante más de 5 segundos por vez. Si el motor no arranca en este período, gire la llave a la posición "OFF" (apagado) y espere por lo menos 15 segundos para dejar que se enfríe el motor de arranque del motor. Inténtelo de nuevo después de esperar. Si después de unos cuantos intentos el motor no arranca, no siga intentando ya que con el cebador cerrado se ahogará el motor y el arranque será más difícil aún.
- A medida que el motor se calienta, empuje gradualmente la perilla del cebador hacia abajo para abrir el cebador. No use el cebador para enriquecer la mezcla de combustible, a menos que sea necesario para arrancar el motor.
- Deje que el motor funcione unos cuantos minutos a una aceleración intermedia antes de someterlo a la carga.
- Observe el medidor horario/panel indicador. Si se enciende la luz del indicador de batería o de presión de aceite, detenga el motor inmediatamente. Haga que su distribuidor Troy-Bilt inspeccione el tractor.

## Arranque del motor en clima frío

Al arrancar el motor a temperaturas cercanas o inferiores al punto de congelamiento, asegúrese de que se use aceite de motor de viscosidad correcta y que la batería tenga carga completa. Arranque el motor de la siguiente forma:

- Asegúrese que la batería se encuentre en buen estado. Una batería caliente tiene una capacidad de arranque mucho mayor que una batería fría.
- Use combustible fresco para uso invernal. La gasolina para uso invernal tiene mayor volatilidad a los efectos de mejorar el arranque. No use gasolina que le haya quedado del verano.
- Siga las instrucciones previas para ARRANCAR EL MOTOR.

## Uso de cables de puente para arrancar el motor



**¡ADVERTENCIA!** Las baterías contienen ácido sulfúrico y producen gases explosivos. Asegúrese de que el área esté bien ventilada, use guantes y protectores de ojos y evite chispas o llamas cerca de la batería.

Si la carga de la batería no es suficiente para dar arranque al motor, vuelva a cargar la batería. Si no dispone de un cargador de batería y debe arrancar el tractor, puede ser necesario usar una batería de urgencia. Conecte la batería de urgencia de la siguiente forma:

- Conecte el extremo de un cable al borne positivo de la batería del tractor que no funciona; luego conecte el otro extremo de ese cable al borne positivo de la batería de urgencia.
- Conecte un extremo del otro cable al borne negativo de la batería de urgencia; luego conecte el otro extremo de ese cable al bastidor del tractor que no funciona, a la mayor distancia posible de la batería.
- Arranque el tractor que no funciona según las instrucciones de arranque normales indicadas más arriba; luego desconecte los cables de puente en orden exactamente inverso al de la conexión.

- Haga controlar y reparar el sistema eléctrico del tractor lo más pronto que fuere posible, para eliminar la necesidad de usar cables de puente para arrancarlo.

## Detención del motor

- Coloque el interruptor de la potencia de arranque (PTO) en posición "OFF" (apagado).
- Coloque las palancas de control de transmisión del lado derecho y del lado izquierdo totalmente hacia afuera, en posición neutral.
- Coloque el freno de mano.
- Mueva el control del regulador entre las posiciones de aceleración media y máxima, y gire la llave de encendido a la posición "OFF".
- Retire la llave del interruptor de encendido.

**NOTA:** Siempre quite la llave del interruptor de encendido para evitar el arranque accidental o la descarga de la batería si el equipo queda sin supervisión.

## Practique el modo de operación con el tractor (uso inicial)

Operar un tractor con radio de giro cero no es lo mismo que operar un tractor convencional. Si bien precisamente un tractor con radio de giro cero es más maniobráble, es necesario practicar la operación de las palancas de control para acostumbrarse a las mismas.

Recomendamos enfáticamente que encuentre un "área de práctica" de superficie razonable, nivelada y abierta, en la cual no haya obstrucciones, peatones ni mascotas. Debe practicar la operación del tractor durante 30 minutos por lo menos.

Lleve (o haga que alguien lleve) el tractor al área de práctica con cuidado. Cuando esté practicando, la potencia de arranque (PTO) no debe estar enganchada. Mientras practica, haga funcionar el tractor a aproximadamente 1/2-3/4 de aceleración y a menos de la velocidad máxima tanto en marcha directa como en marcha atrás.

Ejercite cuidadosamente las maniobras con el tractor, usando las instrucciones de la sección siguiente "Conducción del tractor". Practique hasta que se sienta confiado de poder manejar el tractor con seguridad.

## Conducción del tractor



**¡ADVERTENCIA!** Evite arrancar súbitamente, desarrollar excesiva velocidad y detenerse de repente.

- Ajuste el asiento del operador a la posición más cómoda que le permita operar los controles. Consulte la forma de hacerlo en la sección AJUSTES.
- Suelte el freno de mano.
- Coloque las palancas de control de transmisión del lado derecho y del lado izquierdo hacia adentro, en posición neutral. Vea la Figura 5-2.

**NOTA:** Si las palancas de control no están niveladas en posición neutral, consulte **Mantenimiento y ajustes** para obtener instrucciones sobre la forma de ajustar las palancas para que queden parejas.

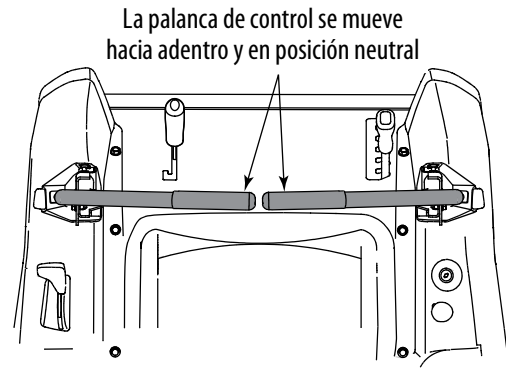


Figura 5-2

- Coloque la palanca de control del regulador hacia adelante, hasta la posición de aceleración máxima (3500-3600 RPM). **NOTA:** Si bien el motor del tractor se ha diseñado para funcionar a máxima aceleración, cuando practica el tractor debe funcionar a menos del máximo (aproximadamente 2500-3000 RPM). Esto se aplica únicamente al funcionamiento del motor durante la práctica.



**¡ADVERTENCIA!** Siempre mantenga las palancas de control con firmeza. NO suelte las palancas de control para desplazarse más despacio o para detener el tractor; lleve las palancas a la posición neutral con las manos.

- Para conducir el tractor, tome firmemente las palancas de control de transmisión respectivas con las manos derecha e izquierda y proceda según las instrucciones de las siguientes subsecciones:

### Conducción del tractor hacia adelante



**¡ADVERTENCIA!** Todos los movimientos de las palancas de control deben ser lentos y suaves. El movimiento abrupto de las palancas de control puede afectar la estabilidad del tractor y podría hacer que el tractor se voltee, con el resultado de lesiones graves o incluso la muerte del operador.

- Mueva las palancas de control lenta y suavemente hacia adelante. El tractor comenzará a desplazarse hacia adelante. Vea la Figura 5-3.

### CONDUCCIÓN HACIA ADELANTE

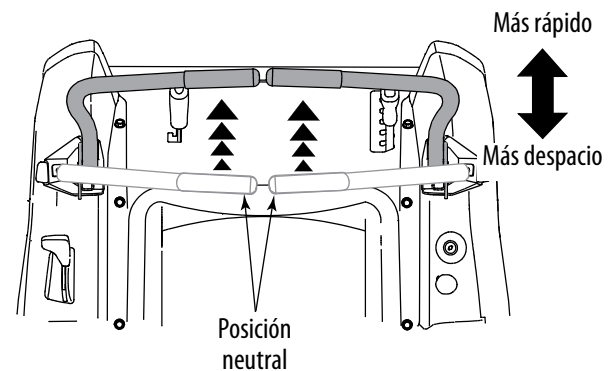


Figura 5-3

- A medida que las palancas de control se empujan más hacia adelante, aumenta la velocidad del tractor.
- Para que el tractor se desplace más lentamente, mueva la palanca de control hacia atrás hasta alcanzar la velocidad deseada, o coloque las palancas en la posición neutral para detener el tractor.

**IMPORTANTE:** Siempre tome y mantenga las palancas de control con firmeza. No suelte las palancas para que el tractor se desplace con mayor lentitud ni para volver a posición neutral.

### Giro con el tractor en marcha directa



**¡ADVERTENCIA!** Al invertir la dirección del recorrido, le recomendamos que en lo posible realice giros graduales en "U". Los giros más agudos aumentan la posibilidad de que se deteriore el césped y podrían afectar el control del tractor. Conduzca SIEMPRE el tractor lentamente antes de girar en curvas cerradas.

Para que el tractor gire mientras se desplaza hacia adelante, mueva las palancas de control según sea necesario para que una palanca quede más atrás que la otra. El tractor girará en la dirección de la palanca que queda más atrás.

- Para girar a la izquierda, mueva la palanca de control del lado izquierdo hacia atrás respecto de la palanca derecha. Vea la Figura 5-4.

#### GIRO HACIA LA IZQUIERDA DESPLAZÁNDOSE HACIA ADELANTE

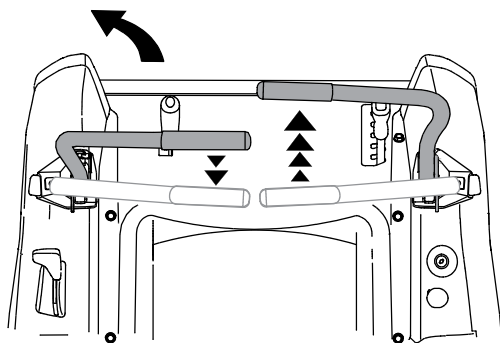


Figura 5-4

- Para girar a la derecha, mueva la palanca de control del lado derecho hacia atrás respecto de la palanca izquierda. Vea la Figura 5-5.

#### GIRO HACIA LA DERECHA DESPLAZÁNDOSE HACIA ADELANTE

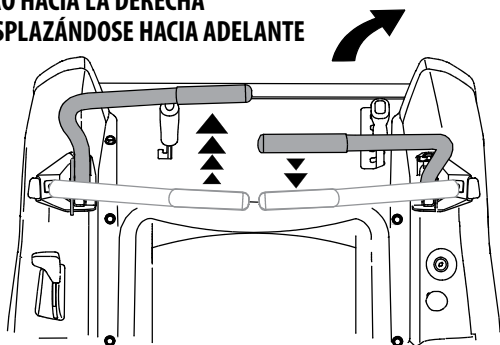


Figura 5-5

- Cuanto mayor sea la distancia de adelante hacia atrás entre las dos palancas, más cerrado será el giro que dará el tractor.
- Para realizar un "giro de pivote", mueva la palanca de control del lado de giro a la posición neutral, mientras mueve la otra palanca de control hacia adelante.  
**IMPORTANTE:** Los "giros de pivote" sobre el pasto aumentan significativamente el potencial de que se deteriore el césped.

### Conducción del tractor en marcha atrás



**¡ADVERTENCIA!** Siempre mire hacia atrás y hacia abajo a ambos lados del tractor antes de desplazarse marcha atrás. Siempre mire hacia atrás cuando se desplaza en marcha atrás.

- Mueva las dos palancas de control lenta y suavemente hacia atrás. El tractor comenzará a moverse hacia atrás. Vea la Figura 5-6.

### CONDUCCIÓN HACIA ATRÁS

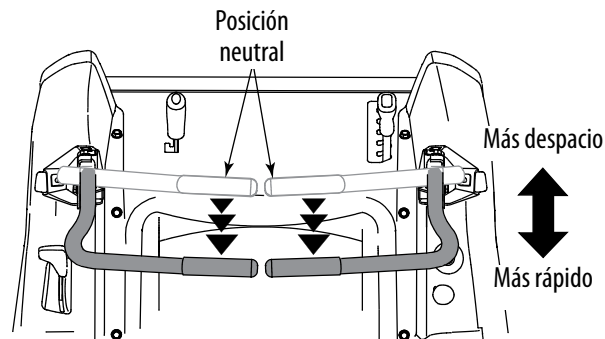


Figura 5-6

- A medida que las palancas de control se empujan más hacia atrás, aumenta la velocidad del tractor.
- Para que el tractor se desplace más lentamente, mueva la palanca de control hacia adelante hasta alcanzar la velocidad deseada, o coloque las palancas en la posición neutral para detener el tractor.

### Realizar un giro mientras se conduce marcha atrás

Para que el tractor gire mientras se desplaza hacia atrás, mueva las palancas de control según sea necesario para que una palanca quede más adelante que la otra. El tractor girará en la dirección de la palanca que queda más adelante.

- Para girar a la izquierda mientras se desplaza marcha atrás, mueva la palanca de control del lado izquierdo hacia adelante respecto de la palanca derecha. Vea la

#### GIRO HACIA LA IZQUIERDA DESPLAZÁNDOSE HACIA ATRÁS

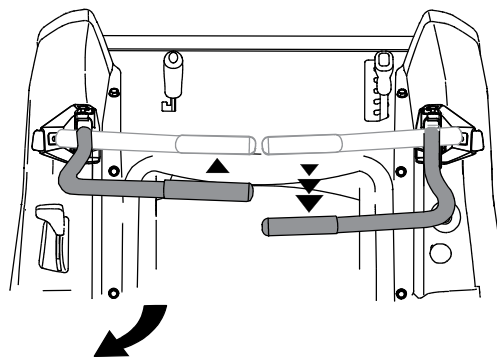


Figura 5-7.

Figura 5-7

- Para girar a la derecha mientras se desplaza marcha atrás, mueva la palanca de control del lado derecho hacia adelante respecto de la palanca izquierda. Vea la Figura 5-8.

#### GIRO HACIA LA DERECHA DESPLAZÁNDOSE HACIA ATRÁS

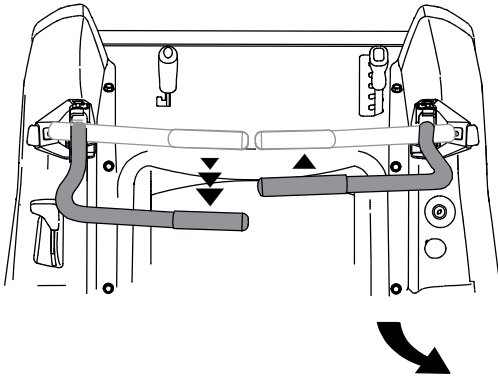


Figura 5-8

- Cuanto mayor sea la distancia de adelante hacia atrás entre las dos palancas, más cerrado será el giro que dará el tractor.
- Para realizar un "giro de pivote", mueva la palanca de control del lado de giro a la posición neutral, mientras mueve la otra palanca de control hacia atrás.  
**IMPORTANTE:** Los "giros de pivote" sobre el pasto aumentan significativamente el potencial de que se deteriore el césped.

#### Giro de radio cero



**¡ADVERTENCIA!** Para realizar un giro de radio cero, el tractor SE DEBE DETENER. La realización de un giro de radio cero con el tractor en movimiento puede reducir significativamente el grado de control que se tenga sobre el mismo, y dará lugar a un grave deterioro del césped.

- Detenga el movimiento del tractor hacia adelante o hacia atrás colocando las dos palancas de control en neutral.
- Para girar en el sentido de las agujas del reloj, mueva la palanca de control del lado izquierdo hacia adelante mientras mueve simultáneamente la palanca de control derecha hacia atrás. Vea la Figura 5-9.

#### GIRO CERO EN EL SENTIDO DE LAS AGUJAS DEL RELOJ

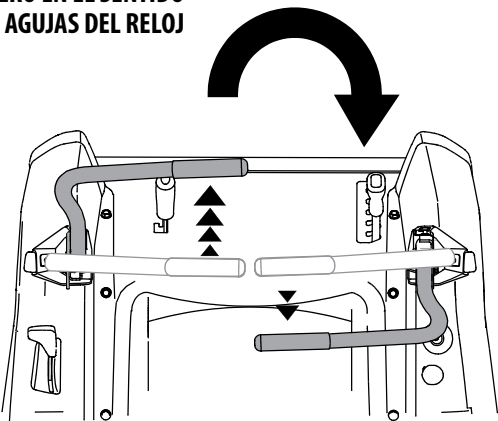


Figura 5-9

- Para girar en sentido contrario a las agujas del reloj, mueva la palanca de control del lado derecho hacia adelante mientras mueve simultáneamente la palanca de control izquierda hacia atrás. Vea la Figura 5-10.

#### GIRO CERO EN SENTIDO CONTRARIO A LAS AGUJAS DEL RELOJ

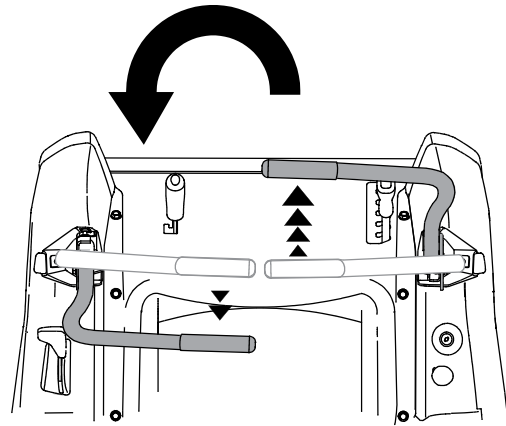


Figura 5-10

#### Detención del tractor

- Mueva las dos palancas de control a la posición neutral para detener el movimiento del tractor.
- Presione el interruptor de la potencia de arranque (PTO) hacia abajo a la posición desenganchada.
- Use la manija de elevación de la plataforma para levantar la plataforma a su posición más alta.
- Si desciende del tractor, mueva las palancas de control totalmente hacia afuera en la posición neutral, enganche el freno de mano, mueva la palanca de control del regulador a la posición rápida, gire el interruptor de encendido a "OFF" (apagado) y retire la llave del interruptor.



**ADVERTENCIA:** No abandone el asiento del tractor sin desenganchar la potencia de arranque (PTO); coloque las palancas de control de transmisión totalmente hacia afuera en posición neutral, y enganche el freno de mano. Si deja el tractor sin vigilancia, apague el motor girando la llave de encendido y retírela.

#### Operación en pendientes

Consulte la sección INDICADOR DE PENDIENTE en la página 7 para determinar en qué pendientes no puede operar el tractor de manera segura.



**¡ADVERTENCIA!** No corte el césped en inclinaciones mayores a 15 grados (elevación aproximada de 2 1/2 pies por cada 10 pies). El tractor podría voltearse y causar lesiones severas.

- Siempre conduzca el tractor de forma transversal a la pendiente, nunca hacia arriba y hacia abajo. Controle la velocidad y la dirección del tractor usando principalmente la palanca de control del lado del tractor que queda 'cuesta abajo', mientras que la palanca de control del lado 'cuesta arriba' permanece esencialmente fija.
- En lo posible evite girar cuesta abajo. Comience en la base de la pendiente y opere cuesta arriba. Siempre reduzca la velocidad antes de dar la vuelta.
- Ponga especial cuidado y conduzca lentamente al girar cuesta abajo.

## Funcionamiento de la potencia de arranque PTO

Opere el embrague de la potencia de arranque (PTO) de la siguiente forma:

- Mueva la palanca de control del regulador aproximadamente a la posición de aceleración intermedia.
- Tire del interruptor de la potencia de arranque (PTO) hacia arriba a la posición "ENGANCHADA".
- Adelante la palanca del regulador a la velocidad operativa (velocidad máxima del motor).
- El operador debe permanecer sentado en el tractor en todo momento. Si el operador abandona el asiento sin apagar el interruptor de la potencia de arranque, el motor del tractor se detiene.
- El embrague de la potencia de arranque (PTO) no funciona cuando el tractor se desplaza en marcha atrás. La potencia de arranque (PTO) se desengancha cuando las dos palancas de control se colocan en posición marcha atrás, y se vuelve a enganchar cuando una (o las dos) palanca(s) de control se mueve(n) a la posición neutral o de marcha directa.

## Uso de la plataforma de la cortadora



**¡ADVERTENCIA!** Asegúrese que el área donde se va a cortar esté libre de desechos, ramitas, piedras, cables u otros objetos que puedan ser arrojados por las cuchillas rotativas.

**IMPORTANTE:** No enganche la plataforma de la cortadora cuando esté baja sobre el pasto. Se produce el desgaste prematuro y la posible falla de la correa en "V" y del embrague de la potencia de arranque (PTO). Antes de enganchar la plataforma de la cortadora, levante totalmente la plataforma o lleve la máquina a un área donde no haya césped.

- Corte de forma transversal a las pendientes, no hacia arriba ni hacia abajo. Si corta el césped en pendiente, comience por la base y desplácese hacia arriba para asegurar que siempre se gire cuesta arriba.
- Al realizar la primera pasada elija un punto del lado opuesto del área a cortar.
- Enganche el embrague de la potencia de arranque (PTO) usando el interruptor de la potencia de arranque (PTO) y mueva el control del regulador a la posición rápida.
- Baje la plataforma de la cortadora al ajuste de altura deseado usando la manija de elevación.
- Empuje las palancas de control del lado derecho y del lado izquierdo lentamente y de forma pareja para que el tractor avance hacia adelante, y mantenga la orientación del tractor en línea recta hacia el punto de alineación.  
**NOTA:** La velocidad del tractor afecta la calidad del corte que realiza la cortadora. Si realiza el corte a gran velocidad la calidad se ve afectada negativamente. Controle la velocidad absoluta con las palancas de control.
- Cuando se acerque al otro extremo de la franja, reduzca la velocidad o deténgase antes de girar. Se recomienda realizar un giro en U a menos que sea necesario realizar un giro de radio cero.
- Alinee la cortadora de césped con un borde de la franja cortada y superponga la pasada aproximadamente 3 pulgadas.

- Oriente el tractor en cada franja subsiguiente de modo que se alinee con la franja ya cortada.
- Para evitar la formación de surcos o ranuras en el césped, en lo posible varíe la dirección de las franjas de corte aproximadamente 45° en cada corte subsiguiente.



**¡ADVERTENCIA!** Tenga sumo cuidado al atravesar senderos de grava o caminos de acceso. Desenganche la potencia de arranque (PTO) y levante la plataforma hasta la posición más alta antes de cruzar.

**IMPORTANTE:** Cuando detenga el tractor por cualquier motivo sobre el césped, siempre:

- Coloque la palanca de cambios en neutral,
- Coloque el freno de estacionamiento,
- Apague el motor y retire la llave.
- Eso permitirá reducir al mínimo la posibilidad de que su césped resulte quemado por el escape caliente del motor en funcionamiento.

## Control de los circuitos de bloqueo de seguridad

Controle periódicamente los circuitos de bloqueo de seguridad para estar seguro de que funcionan adecuadamente. Si algún circuito de seguridad no funciona según diseño, póngase en contacto con el distribuidor de Troy-Bilt para que inspeccione el tractor. NO use el tractor si algún circuito de seguridad no está funcionando adecuadamente. Para controlar los circuitos de seguridad proceda de la siguiente manera:

- Sentado en el asiento del tractor con ambas palancas de control totalmente abiertas hacia afuera, desenganche el freno de mano momentáneamente y gire el interruptor de encendido a la posición de arranque. El motor no debe intentar arrancar.
- Enganche el freno de mano y tire del interruptor de la potencia de arranque (PTO) hacia arriba a la posición enganchada. Gire el interruptor de encendido a la posición de arranque momentáneamente; el motor no debería intentar arrancar.
- Empuje el interruptor de la potencia de arranque (PTO) hacia abajo, a la posición desenganchada, y coloque el freno de mano. Arranque el motor y mueva una de las palancas de control desde la posición neutral totalmente hacia afuera. El motor debe dejar de funcionar. Repita el procedimiento con la otra palanca de control.
- Mueva las dos palancas de control totalmente hacia afuera en la posición neutral y desenganche el freno de mano; luego levante hacia arriba desde el asiento del operador. El motor debe dejar de funcionar.
- Con las dos palancas de control totalmente hacia afuera en la posición neutral y el freno de mano colocado, enganche la potencia de arranque (PTO). Levante hacia arriba desde el asiento del operador; el motor se debe detener.
- Arranque el tractor, desenganche el freno de mano y mueva las palancas de control hacia adentro a la posición operativa neutral. Enganche la potencia de arranque (PTO) y mueva las dos palancas de control lentamente a la posición marcha atrás; la potencia de arranque (PTO) se debe desenganchar y la plataforma de la cortadora se debe detener hasta que una o las dos palancas de control se coloca(n) en posición neutral o de marcha directa.

## Mantenimiento



**¡ADVERTENCIA!** Antes de realizar cualquier tarea de mantenimiento o reparaciones, desenganche la potencia de arranque (PTO), mueva las palancas de control totalmente hacia afuera en posición neutral, enganche el freno de mano, detenga el motor y extraiga la llave para evitar el encendido accidental.

### Motor

Consulte las instrucciones, especificaciones y procedimientos para todos los intervalos de mantenimiento del motor en el Manual del Propietario/Operador Kohler.

### Cambio de aceite del motor



**¡ADVERTENCIA!** Si el motor se ha puesto en funcionamiento recientemente, el motor, silenciador y las superficies metálicas circundantes estarán calientes y pueden causar quemaduras a la piel. Tenga precaución para evitar quemaduras.

Para completar el cambio de aceite, proceda de la siguiente manera:

1. Haga funcionar el motor por un período corto para calentar el aceite del motor. El aceite fluirá mejor y limpiará las impurezas. Sea cuidadoso para evitar quemaduras con el aceite caliente.
2. Ubique el orificio de drenaje de aceite del lado derecho del motor.
3. Abra el tapón protector en el extremo de la válvula de drenaje de aceite para dejar expuesto el orificio de drenaje. Consulte la Figura 6-1. Retire el tapón de llenado de aceite /la varilla de nivel de aceite del tubo de llenado.
4. Inserte la manguera de drenaje de aceite (embalada con este manual) dentro del orificio de drenaje de aceite. Coloque el extremo opuesto de la manguera en un depósito de recolección de aceite que posea una capacidad de por lo menos 2,5 cuartos de galón (2,4 litros) para recoger el aceite usado.
5. Apriete las lengüetas de la válvula de drenaje, luego tire hacia afuera para comenzar a drenar el aceite. Vea la Fig. 6-1.

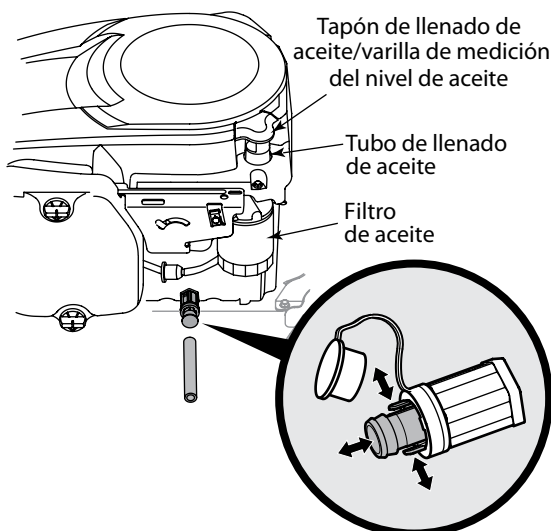


Figura 6-1

6. Después de que termine de drenar el aceite, empuje el extremo de la válvula de drenaje de aceite hacia adentro, hasta que las lengüetas encajen en su lugar haciendo clic. Vuelva a tapar el extremo de la válvula de drenaje de aceite para evitar que ingresen residuos en el orificio de drenaje.
7. Cambie el filtro de aceite y vuelva a llenar el motor con aceite nuevo según las instrucciones del Manual del Operador Kohler.

### Depurador de aire

Realice el servicio de mantenimiento del prefiltro y del elemento del depurador de aire/ cartucho según las instrucciones del Manual del Propietario Kohler.

### Bujía de encendido

Se deben limpiar las bujías y reajustar la separación una vez por temporada. Consulte el tipo de bujía correcta y las especificaciones de separación en el Manual del propietario Kohler.

### Transmisión hidrostática

El tractor con radio de giro cero está equipado con bombas hidrostáticas/ transejes integrados, los cuales están sellados y no requieren mantenimiento. No se pueden controlar los niveles de líquido ni se puede agregar o cambiar líquido.

### Información general sobre la batería



#### ¡ADVERTENCIA!

- En caso de que se produzca una salpicadura accidental de ácido en los ojos o la piel, enjuague el área afectada inmediatamente con agua limpia fría. Si tiene algún malestar adicional, consulte un médico inmediatamente.
- Si el ácido salpica la ropa, en primer lugar dilúyalo con agua limpia, luego neutralícelo con una solución de agua/amoníaco o bicarbonato/agua.
- NUNCA conecte (o desconecte) las abrazaderas del cargador de la batería a la batería si el cargador está encendido, ya que puede causar chispas.
- Mantenga todas las fuentes de combustión (cigarrillos, cerillas, encendedores) alejadas de la batería. El gas generado durante la carga puede ser combustible.
- Como precaución adicional, cargue la batería únicamente en un área bien ventilada.
- Siempre proteja sus ojos y su piel y vestimenta cuando trabaje cerca de baterías.
- Las baterías contienen ácido sulfúrico y pueden producir gases explosivos. Tenga extremo cuidado cuando manipule baterías. Mantenga las baterías lejos del alcance de los niños.

## Mantenimiento de la batería

- La batería se llena con ácido de batería y se sella en fábrica. Sin embargo, para asegurar un ciclo de vida adecuado es necesario realizar cierto mantenimiento en la batería, aún en el caso de las baterías 'sin mantenimiento'.
- Rocíe los bornes y el cable expuesto con un sellador de bornes de batería, o recubra los bornes con una capa delgada de grasa o vaselina para protegerla contra la corrosión.
- Siempre mantenga limpios y libres de corrosión los cables y los bornes de la batería.
- Evite inclinar la batería. Hasta una batería sellada pierde electrolito si se la inclina.



**¡ADVERTENCIA!** Las baterías contienen ácido sulfúrico y pueden producir gases explosivos. Tenga extremo cuidado cuando manipule baterías. Mantenga las baterías lejos del alcance de los niños.

## Mantenimiento de los neumáticos

Controle la presión de aire de los neumáticos cada 50 horas de operación o una vez por semana. Mantenga los neumáticos inflados a las presiones recomendadas. El inflado inadecuado de un neumático reduce su vida útil. Consulte los laterales de los neumáticos para averiguar las presiones de inflado adecuadas. Respete las siguientes pautas:

- No infle los neumáticos por encima de la presión máxima que se muestra en el lateral del neumático.
- No vuelva a inflar un neumático que se ha utilizado desinflado o desinflado en extremo. Un gomero calificado debe inspeccionar y reparar el neumático.

## Lubricación

- Con una pistola de lubricación a presión, lubrique los ejes de las ruedas pivotantes delanteras y el eje de pivote delantero con grasa Cub Cadet 251H EP cada 10 horas de servicio.
- Lubrique periódicamente todos los otros puntos de pivote con un aceite lubricante de calidad.

## Uso del sistema de lavado de la plataforma



**¡ADVERTENCIA!** Cuando use el sistema de lavado de la plataforma, nunca enganche la plataforma desde otra posición que no sea la del asiento del operador del tractor. No use un asistente ni enganche la plataforma en presencia de ningún observador.

- Una el adaptador del pico a una manguera de jardín estándar conectada al suministro de agua.
- Desplace el tractor a un área al alcance de la manguera, en la cual la dispersión de recortes de pasto húmedo no presente inconvenientes para usted. Desconecte la potencia de arranque (PTO), coloque el freno de mano y detenga el motor.
- Tire hacia atrás el collarín de ajuste del adaptador del pico y empuje el adaptador hacia el pico de se lava de la plataforma del final de mano izquierda de la plataforma del cortador de césped. Suelte el collarín de ajuste para trabar el adaptador en el pico. Vea la Figura 6-2.

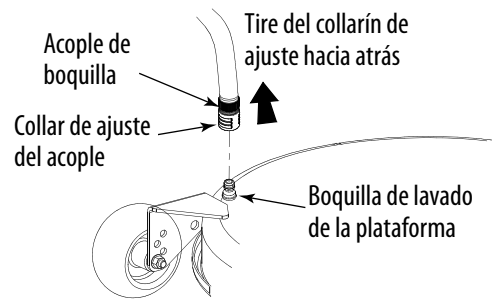


Figura 6-2

- Abra el suministro de agua.
- Desde el asiento del operador del tractor, encienda el motor y enganche la potencia de arranque (PTO). Deje funcionar según sea necesario. Desenganche la potencia de arranque (PTO) y detenga el motor.
- Cierre el suministro de agua.
- Tire del collarín de ajuste del adaptador del pico hacia atrás para desconectar el adaptador del pico.

## Limpieza de las poleas del husillo

Una vez por mes retire las cubiertas de la correa para quitar cualquier acumulación de recortes de césped que haya alrededor de las poleas del husillo y de la correa en 'V'. Limpie con mayor frecuencia si corta césped alto y seco.

## Uso de las varillas de derivación de la transmisión

Si por alguna razón el tractor no funciona o usted desea moverlo, las dos transmisiones hidrostáticas están equipadas con una varilla de derivación que permite mover manualmente el tractor a lo largo de distancias cortas.



**¡ADVERTENCIA!** No remolque el tractor, ni siquiera con la varilla de derivación enganchada. La transmisión del tractor sufrirá graves daños.

- Ubique las dos varillas de derivación, justo delante de los dos neumáticos traseros. Vea la Figura 6-3.
- Tire de una varilla hacia adelante del tractor hasta que la brida de la varilla quede adelante de la ranura de la llave en el conjunto del marco.
- Baje la varilla de derivación dentro de la ranura del ojo de la llave y suéltela, de modo que la brida de la varilla quede contra el frente del soporte del marco.



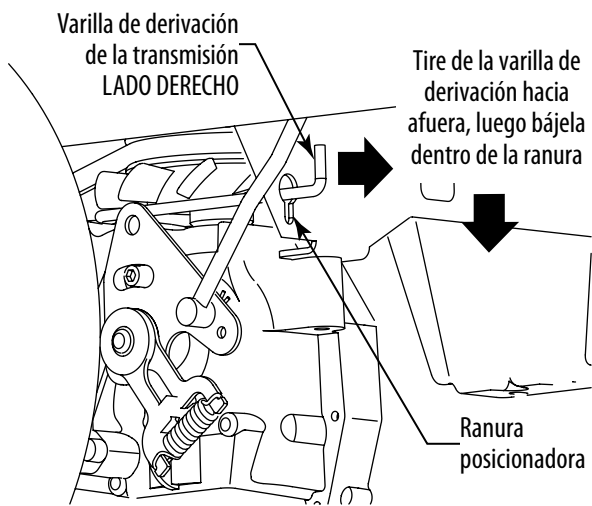


Figura 6-3

- Repita el procedimiento indicado más arriba para enganchar la otra varilla de derivación del otro lado del tractor.
- Después de mover el tractor, desenganche las dos varillas de derivación. Levante la varilla y guíe la brida de la varilla hacia atrás a través de la abertura circular más grande del ojo de la llave, luego suelte la varilla.

**IMPORTANTE:** El tractor no funciona si las varillas de derivación se encuentran en posición enganchada.

### Almacenamiento de la batería

- Cuando el tractor se guarda durante períodos prolongados, desconecte el cable negativo de la batería. No es necesario retirar la batería.
- Todas las baterías se descargan durante el almacenamiento. Mantenga el exterior de la batería limpio, especialmente la parte superior. Una batería sucia se descarga con mayor rapidez.
- La batería debe guardarse con carga completa. Una batería descargada se puede congelar más pronto que una batería cargada. Una batería con carga completa se guarda por más tiempo en temperaturas frías que en temperaturas altas.
- Vuelva a cargar la batería antes de volver a ponerla en servicio. Aun cuando el tractor pueda arrancar, el sistema de carga del motor tal vez no recargue totalmente la batería.

### Almacenamiento del tractor

Si el tractor no a va a funcionar por un período prolongado (desde treinta días hasta aproximadamente seis meses), se lo debe preparar para el almacenamiento. Estacione el tractor en un lugar seco y protegido. Si lo guarda afuera, cúbralo (incluidos los neumáticos) para protegerlo de los fenómenos climáticos. Cada vez que se prepara el tractor para dejarlo fuera de uso se deben realizar los procedimientos descriptos más abajo.

1. Cambie el aceite y filtro de motor según las instrucciones suministradas en el manual del motor entregado con este manual.



**¡ADVERTENCIA!** Nunca guarde el tractor con combustible en el depósito en un lugar cerrado o con escasa ventilación, donde los gases del combustible pueden generar fuego, chispas o encender una luz piloto como la de hornos, calentadores de agua, secadores de ropa, etc.

2. Si guarda el tractor por 30 días o más:

Para evitar que se formen depósitos de goma dentro del carburador del motor y posibles desperfectos en el motor, el sistema de combustible debe ser vaciado completamente, o se debe tratar la gasolina con un estabilizador para evitar el deterioro.



**¡ADVERTENCIA!** El combustible que queda en el depósito se deteriora y causa graves problemas de arranque.

### Uso de un estabilizador de combustible:

- Lea las instrucciones y recomendaciones del fabricante del producto.
- Agregue a la gasolina limpia y fresca la cantidad correcta de estabilizador según la capacidad (aproximadamente 3 galones) del sistema de combustible.
- Llene el depósito de combustible con combustible tratado y haga funcionar el motor 2-3 minutos para estabilizar el combustible dentro del carburador.

### Vaciado del sistema de combustible:

- Antes de guardar el tractor, observe el consumo de combustible a los efectos de hacer funcionar el tractor hasta que el depósito esté vacío.
  - Haga funcionar el motor hasta que comience a detenerse. Use el cebador para mantener el motor en funcionamiento hasta que se haya agotado todo el combustible del carburador.
  - Drene el combustible del recipiente del carburador, consultando el manual del motor.
3. Limpie perfectamente el motor y toda la unidad.
  4. Cargue totalmente la batería, luego desconecte el cable negativo de la batería para evitar posibles descargas. Vuelva a cargar la batería periódicamente durante el almacenamiento.

**NOTA:** Retire la batería si está expuesta a períodos prolongados de temperaturas inferiores al congelamiento. Guarde en un lugar fresco y seco, donde las temperaturas estén por encima del punto de congelamiento.

5. Lubrique todos los puntos de lubricación.

**NOTA:** No recomendamos el uso de una lavadora de presión ni de una manguera de jardín para limpiar el tractor. Pueden producir daños a los componentes eléctricos, husillos, poleas, rodamientos o al motor. El uso de agua acortará la vida útil de la máquina y reducirá su capacidad de servicio.

#### Retiro del tractor del lugar de guarda

- Controle el nivel de aceite.
- Cargue totalmente la batería e infle los neumáticos a la presión recomendada.
- Si se vació el depósito de combustible antes de guardar el tractor, llénelo con gasolina limpia y nueva.
- Agregue combustible limpio y fresco.
- Arranque el motor y déjelo andar en ralentí unos cuantos minutos para asegurar que su funcionamiento sea adecuado.
- Conduzca el tractor sin carga para estar seguro de que todos los sistemas del tractor funcionan correctamente.

### Ajustes



**¡ADVERTENCIA!** Apague el motor, retire la llave de encendido y coloque el freno de mano antes de realizar ajustes. Proteja sus manos utilizando guantes reforzados cuando maneje las cuchillas.

#### Ajuste del asiento del operador

- Para ajustar la posición del asiento, mueva y sostenga la palanca de ajuste del asiento hacia la izquierda. Deslice el asiento hacia adelante o hacia atrás a la posición deseada; luego suelte la palanca de ajuste. Asegúrese de que el asiento esté fijo en su posición antes de operar el tractor. Vea la Figura 6-4.

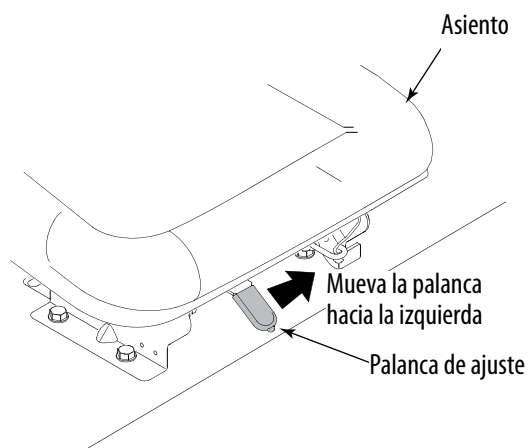


Figura 6-4

### Ajuste de las palancas de control de transmisión LADO DERECHO y LADO IZQUIERDO

Las palancas de control del lado derecho y del lado izquierdo se pueden ajustar hacia arriba o hacia abajo y hacia adelante y hacia atrás para proporcionar comodidad al operador. Las palancas de control se pueden colocar en una de dos posiciones de altura, y/o se pueden desplazar hacia adelante o hacia atrás dentro del rango de la ranura en el soporte del montaje de cada palanca de control.

Para ajustar la altura de la palanca de control, proceda de la siguiente forma:

- Quite la tuerca de seguridad con brida, la arandela plana y el tornillo hexagonal que sujetan la palanca al soporte de pivote.
- Mientras sostiene la palanca de control para evitar que caiga, quite la tuerca de seguridad con brida de bulón hexagonal y el tornillo con reborde de la base de la palanca de control y soporte de pivote. Vea la Figura 6-5.
- Vuelva a colocar la palanca de control en posición alineada con los otros juegos de orificios del soporte de pivote e inserte el tornillo con reborde que quitó antes. Ajuste con la tuerca de seguridad con brida de bulón hexagonal y apriete hasta que quede ajustada.
- Inserte el tornillo hexagonal con arandela a través de la ranura de la palanca de control y el soporte de pivote. Enrosque la tuerca de seguridad con brida en el tornillo, pero no ajuste todavía.
- Si va a ajustar las palancas de control hacia adelante o hacia atrás, realice el paso siguiente. De lo contrario ajuste la tuerca de seguridad con brida totalmente.

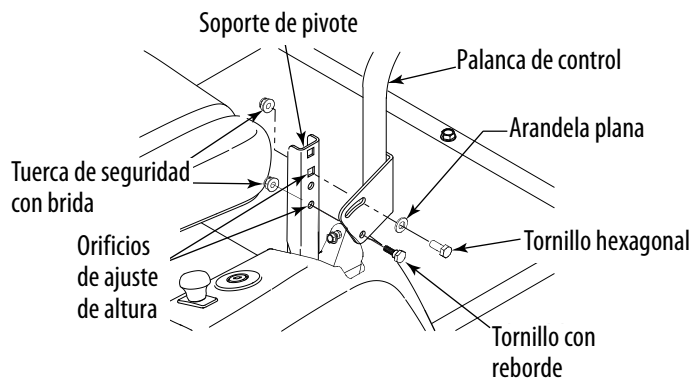


Figura 6-5

Para ajustar las palancas de control hacia adelante o hacia atrás, proceda de la siguiente forma:

Si todavía está apretada, afloje la tuerca de seguridad con brida y rote la palanca de control hacia adelante o hacia atrás a la posición deseada. Vea la Figura 6-5.

**NOTA:** Si la palanca de control está demasiado apretada y es difícil moverla, afloje levemente la tuerca de seguridad con brida de bulón hexagonal y el tornillo con reborde de la base de la palanca de control.

- Apriete la tuerca de seguridad con brida para fijar la palanca de control en la posición ajustada
- Repita el procedimiento anterior para ajustar la otra palanca de control en la misma posición. Ajuste de manera que las dos palancas queden parejas entre sí cuando se encuentran en posición neutral.

### Nivelación de la plataforma de la cortadora de césped

Cuando se encuentra correctamente ajustada, la plataforma de la cortadora de césped debe estar nivelada de lado a lado, y la parte delantera de la plataforma debe estar aproximadamente 1/4 de pulgada por debajo de la parte trasera de la plataforma.

**NOTA:** Controle la presión de neumáticos del tractor antes de realizar cualquier nivelación de la plataforma. Consulte los laterales de los neumáticos para averiguar las presiones de inflado adecuadas.

### Nivelación lado a lado

Si la plataforma de corte estuviera realizando el corte de césped de forma despereja, puede realizarse un ajuste lado a lado. De ser necesario, realice un ajuste de la siguiente manera:

- Con el tractor estacionado sobre una superficie firme y nivelada, coloque la manija de elevación de la plataforma en la muesca superior (posición más alta) y rote ambas cuchillas para que se sitúen de forma perpendicular al marco del tractor.
- Baje la plataforma a la posición de altura media.
- Mida la distancia desde la parte externa de la punta de la cuchilla izquierda hasta el piso, y desde la parte externa de la punta de la cuchilla derecha hasta el piso. Las medidas deben ser iguales. Si no lo son, realice el siguiente paso.
- Comparando las dos mediciones determine si el lado derecho de la plataforma se debe levantar o bajar.
- Afloje, pero no extraiga, el tornillo de cabeza hexagonal ubicado en la ménsula de suspensión derecho de la plataforma. Vea la Figura 6-6.

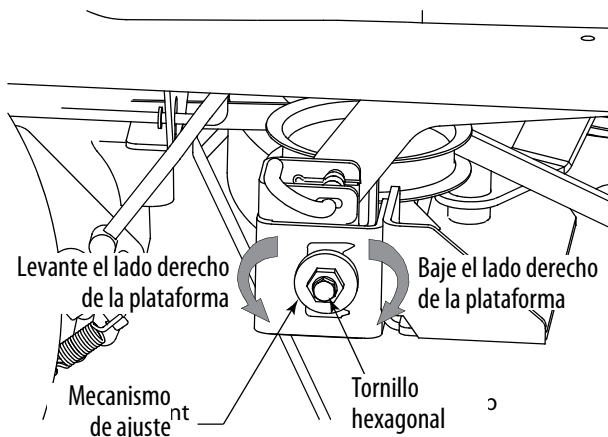


Figura 6-6

- Nivele la plataforma con una llave para girar el engranaje de ajuste (el cual se encuentra inmediatamente detrás del tornillo hexagonal que se acaba de aflojar) en sentido de las agujas del reloj para subir el lado izquierdo de la plataforma o en sentido contrario a las agujas del reloj para bajar el lado izquierdo de la plataforma. Vea la Figura 6-6.
- La plataforma está adecuadamente nivelada cuando las mediciones desde la punta izquierda y desde la punta derecha de la cuchilla son iguales.

- Una vez alcanzado el ajuste necesario, vuelva a ajustar el tornillo de cabeza hexagonal de la ménsula de suspensión derecho de la plataforma.

### Nivelación adelante atrás.

La parte frontal de la plataforma debe estar aproximadamente 1/4 de pulgada más abajo que la parte posterior. De ser necesario, realice un ajuste de la siguiente manera:

- Con la plataforma levantada del suelo, rote las cuchillas exteriores para que queden paralelas al marco del tractor.
- Si la nivelación lado a lado se realizó correctamente, debe ser aceptable medir únicamente la cuchilla derecha para obtener la inclinación correcta atrás-adelante de la plataforma.
- Mida la distancia desde la punta delantera de la cuchilla hasta el piso, y desde la punta posterior hasta el piso. La distancia delantera debe ser aproximadamente 1/4 de pulgada menor que la trasera. Si no es así, realice el siguiente paso.
- Ubicado delante del tractor, afloje las tuercas exteriores hexagonales de la varilla de suspensión delantera de la plataforma y gírelas separándolas de las tuercas interiores. Vea la Figura 6-7.
- Si la parte delantera de la plataforma estuviese demasiado baja, gire las tuercas hexagonales interiores en sentido de las agujas del reloj contra la ménsula de suspensión para acortar la varilla de suspensión delantera y levantar el frente de la plataforma. Vea la Figura 6-7.

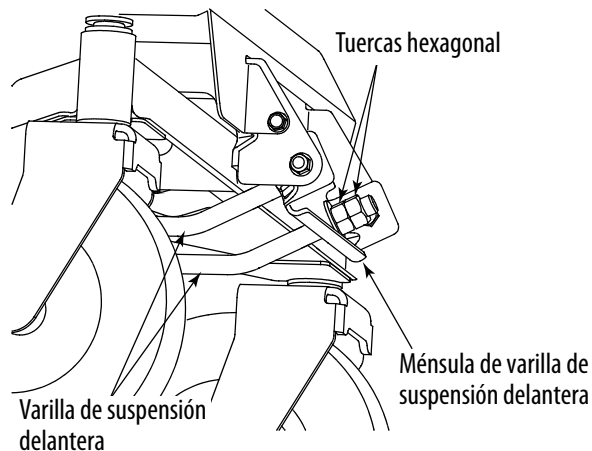


Figura 6-7

- Si la parte delantera de la plataforma estuviese demasiado alta, gire las tuercas hexagonales en sentido contrario a las agujas del reloj para alargar la varilla de suspensión delantera y bajar el frente de la plataforma.

**IMPORTANTE:** La varilla de suspensión delantera de la plataforma debe estar delante de las ranuras del soporte delantero de la plataforma. Si un lado de la varilla no está delante de su ranura, gire la tuerca hexagonal interior de ese lado hasta que la varilla apenas toque la parte delantera de la ranura. Luego vuelva a medir y reajustar la varilla de suspensión delantera según sea necesario.

- Cuando se alcance la inclinación correcta de la plataforma, fije las tuercas hexagonales interiores con una llave y ajuste las tuercas hexagonales exteriores contra las tuercas hexagonales interiores para que queden firmes en la posición ajustada.

## Ajuste de las ruedas de calibración



**¡ADVERTENCIA!** Mantenga las manos y pies alejados de la abertura de descarga de la plataforma de corte.

**NOTA:** Las ruedas calibradoras de la plataforma tienen una función antidesbroce y no están diseñadas para soportar el peso de la plataforma de corte.

La altura de corte de la plataforma de la cortadora de césped se puede fijar en cualquiera de seis valores de altura usando la manija de elevación de plataforma del tractor. Las alturas de la plataforma oscilan entre 1-1/2 pulgadas y 4 pulgadas. La posición de las ruedas de calibración de la plataforma debe ser aproximadamente entre 1/4 y 1/2 pulgada por encima del nivel del suelo cuando la plataforma se fija en el valor de altura deseado.

Usando la manija de elevación, fije la plataforma en el valor de altura deseado, luego controle la distancia entre la rueda de calibración y el piso. Si es necesario, ajústela de la siguiente forma:

- Controle visualmente la distancia entre las ruedas calibradoras delanteras y el suelo. Si las ruedas de calibración están cerca del suelo o lo tocan, es necesario levantarlas. Si las ruedas de calibración se encuentran a más de 1/2 pulgada del suelo, es necesario bajarlas.
- Retire la tuerca de seguridad que fija uno de los tornillos con reborde de las ruedas de calibración delanteras a la plataforma. Retire la rueda de calibración y el tornillo con reborde. Vea la Figura 6-8.

- Inserte el tornillo con reborde en uno de los cuatro orificios de posicionamiento, en el del soporte de rueda de calibración delantera que dé a la rueda de calibración una separación del suelo que oscile entre 1/4 y 1/2 pulgada.
- Observe el orificio de posicionamiento de la rueda que acaba de ajustar y ajuste las otras ruedas de calibración en los orificios de posicionamiento respectivos de los otros soportes de rueda de calibración de la plataforma.

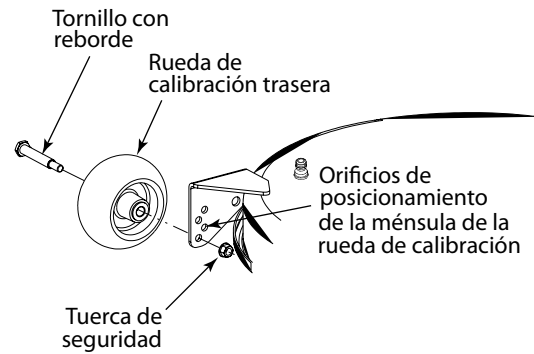


Figura 6-8

## Calendario de mantenimiento

	Antes de cada uso	Cada 10 horas	Cada 25 horas	Cada 50 horas	Cada 100 horas	Antes de almacenar
Limpie el capó/los respiraderos		✓				✓
Inspeccione el nivel de aceite del motor	✓	✓				
Controle el filtro de aire para ver si hay piezas sucias, sueltas o dañadas	✓					
Limpie y vuelva a lubricar el depurador de espuma del filtro de aire			✓			
Reemplace el elemento del filtro de aire					✓	
Cambie el aceite del motor y reemplace el filtro de aceite				✓		
Limpie los bornes de la batería		✓				✓
Lubrique el eje de pivote delantero y los ejes de las rueditas		✓				✓
Limpie las aletas de refrigeración del motor			✓			✓
Lubrique las ruedas de la plataforma				✓		✓
Inspeccione la condición de las bujías de encendido y la separación					✓	✓
Reemplace el filtro de combustible					✓	

## Retiro de la batería



**¡ADVERTENCIA!** Los postes de la batería, terminales y accesorios contienen plomo y compuestos de plomo. Lávese las manos después de estar en contacto con estos componentes.

La batería está ubicada del lado derecho/posterior del tractor, debajo del marco de la caja del

asiento. Para retirar la batería:

- Quite los dos tornillos autorroscantes del soporte de sujeción de la batería y retire el soporte. Preste atención para no perder el fleje de compensación de la base del soporte. Vea la Figura 7-1.

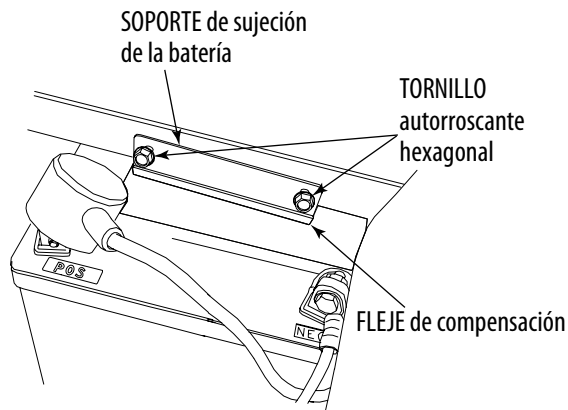


Figura 7-1

- Retire el tornillo hexagonal y la tuerca Sems que fijan el conductor negativo negro de la batería al borne negativo de la batería (marcado 'NEG'). Aleje el cable del borne negativo de la batería.
- Retire el tornillo hexagonal y la tuerca Sems que fijan el conductor positivo rojo de la batería al borne positivo de la batería (marcado 'POS').
- Levante con cuidado la batería para sacarla del tractor.

Instale la batería repitiendo los pasos anteriores en orden inverso.



**¡ADVERTENCIA!** Siempre conecte el conductor positivo a la batería antes de conectar el conductor negativo. Esto evita la generación de chispas o posibles lesiones producidas por un cortocircuito eléctrico causado por el contacto del cuerpo del tractor con las herramientas que se usan para conectar los cables.

## Carga de la batería

Si el tractor ha estado guardado durante un tiempo, pruebe la batería y, si es necesario, recárguela.

- Un voltímetro o medidor de carga debería dar una lectura de 12,6 voltios (CC) o más en todos los bornes de la batería.
- Cargue la batería con un cargador de batería de 12 voltios a un MÁXIMO de 10 amperios.

Lectura del voltímetro	Estado de la carga	Tiempo de carga
12.7	100%	Carga completa
12.4	75%	90 minutos
12.2	50%	180 minutos
12.0	25%	280 minutos

## Mantenimiento del sistema eléctrico

El tractor tiene instalado un fusible para proteger el sistema eléctrico de los daños causados por el exceso de amperaje. Siempre reemplace con fusibles de la misma capacidad. Si el sistema eléctrico no funciona, controle si hay un fusible quemado. Vea la Figura 7-2.

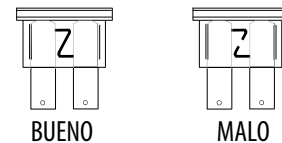


Figura 7-2

Si se repite el problema de los fusibles quemados, haga que su distribuidor de Troy-Bilt revise el sistema eléctrico del tractor.

## Relés e interruptores

Hay varios interruptores de seguridad en el sistema eléctrico. Si una función del sistema de bloqueo de seguridad descripto antes no funciona adecuadamente, haga que el distribuidor de Troy-Bilt revise el sistema eléctrico.

## Retiro de la plataforma

Retire la plataforma de la cortadora de césped del tractor de la siguiente forma:

1. Desplace el tractor a una superficie nivelada, desenganche la potencia de arranque (PTO), detenga el motor y coloque el freno de mano.
2. Mueva las ruedas de calibración de la plataforma o los rodillos a su ajuste más alto (ajuste más bajo de la plataforma).
3. Retire la correa en 'V' de la polea de la potencia de arranque (PTO), ubicada en la base del motor, usando uno de los dos métodos siguientes.



**¡ADVERTENCIA!** El silenciador en la parte trasera del tractor puede estar sumamente caliente y podría causar quemaduras graves. Tenga mucho cuidado cuando se encuentre cerca del silenciador. Deje que el silenciador se enfríe totalmente antes de retirar la correa de la polea de la potencia de arranque (PTO).

## Para aflojar la tensión de la correa con la polea loca.

- Usando la manija de elevación de la plataforma, levante la plataforma a la posición que le ofrece mayor recorrido horizontal de la correa entre las poleas locas de la plataforma y la polea de la potencia de arranque en la parte inferior del motor.
- Desde la parte media del tractor, haga girar el soporte de polea loca y la polea loca móvil hacia atrás, separándolos de la parte posterior de la correa en 'V' a una distancia

suficiente que permita levantar la correa hacia arriba, por encima de la polea loca. Vea la Figura 7-3.

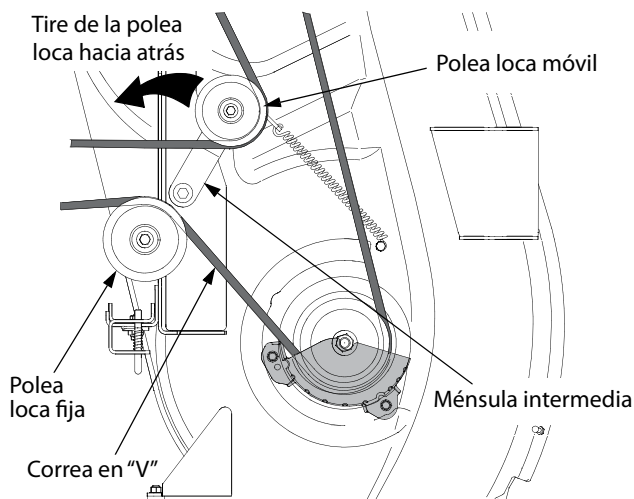


Figura 7-3

- Desde abajo de la parte trasera del tractor, deslice la correa para sacarla de la polea de la potencia de arranque (PTO) en la base del motor.

#### Para sacar la correa de la polea de la potencia de arranque (PTO).

- Usando la manija de elevación de la plataforma, levante la plataforma a la posición que le ofrece mayor recorrido horizontal de la correa entre las poleas locas de la plataforma y la polea de la potencia de arranque en la parte inferior del motor.
- Sentado detrás del tractor, mirando hacia adelante, alcance debajo del tractor para agarrar la correa por delante de la polea de la potencia de arranque (PTO).



**¡ADVERTENCIA!** Tenga cuidado para evitar que sus dedos queden apretados al deslizar la correa para sacarla de la polea de la potencia de arranque (PTO).

- Tire del lado izquierdo de la correa hacia atrás y hacia abajo mientras gira manualmente la polea de la potencia de arranque (PTO) hacia la derecha hasta que la correa se deslice hacia afuera sobre el borde inferior de la polea.  
**NOTA:** Si tira del lado derecho de la correa, gire la polea hacia la izquierda.
- Mientras sostiene la correa hacia abajo, siga girando la polea de la potencia de arranque (PTO) hasta que la correa se deslice fuera de la polea. Vea la Figura 7-5.
- Baje la plataforma al suelo usando la manija de elevación de la plataforma.
- Ubique los pasadores de soporte de la plataforma del lado izquierdo y del lado derecho que se encuentran a cada lado de la plataforma. Tire de los pasadores de soporte de la plataforma hacia afuera y fíjelos en posición desenganchada para liberar la plataforma de los brazos de elevación izquierdo y derecho del tractor. Vea la Figura 7-4.
- Levante los brazos de elevación de la plataforma sacándolos de las ranuras de la ménsula de suspensión trasera, levantando la manija de elevación de la plataforma del tractor a su posición más alta. Vea la Figura 7-4.
- Deslice la plataforma hacia adelante de modo que la varilla de suspensión delantera de la plataforma se pueda levantar fuera de las dos ranuras del soporte delantero de la plataforma. Después de levantar la varilla de suspensión delantera fuera de las ranuras, deslice la plataforma hacia atrás de modo que la varilla ya no pueda enganchar las ranuras.

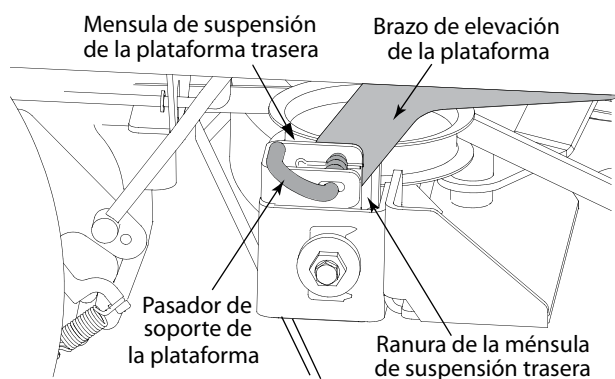


Figura 7-4

- Con cuidado para evitar que la varilla de suspensión delantera caiga hacia atrás dentro de las ranuras del soporte de la plataforma, (desde el lado derecho) deslice lentamente la plataforma de corte hacia afuera desde abajo del tractor.

### Instalación de la plataforma

Para instalar la plataforma de la cortadora de césped, proceda de la siguiente manera:

1. Mientras sostiene la varilla de suspensión delantera hacia arriba, con cuidado deslice la plataforma debajo del lado derecho del tractor.
2. Siga sosteniendo la varilla de suspensión delantera y deslice la plataforma hacia adelante hasta que la varilla de suspensión delantera se pueda bajar dentro de las ranuras del soporte delantero de la plataforma.
3. Baje la varilla de suspensión delantera dentro de las ranuras del soporte delantero de la plataforma, luego deslice la plataforma hacia atrás.
4. Coloque la plataforma de modo que las ranuras de las dos ménsulas de suspensión trasera de la plataforma se alineen aproximadamente con los brazos de elevación de la plataforma del tractor. Vea la Figura 7-4.
5. Use la manija de elevación de la plataforma del tractor para bajar los brazos de elevación de la plataforma dentro de las ranuras de las ménsulas de suspensión trasera de la plataforma.
6. Tire de los pasadores de soporte de la plataforma hacia afuera y ubique la plataforma según sea necesario para alinear los orificios del brazo de elevación de la plataforma con los pasadores. Vea la Figura 7-4.
7. Una vez alineados, empuje cada pasador totalmente hacia adentro a través de los brazos de elevación para fijar los brazos en las ranuras de las ménsulas de suspensión traseras.
8. Asegúrese de que la correa en 'V' esté en las poleas del husillo de la plataforma, luego oriente la correa hacia atrás por debajo del bastidor del tractor, por encima de los tubos de transmisión, hacia la polea de la potencia de arranque (PTO) en la base del motor.
9. Instale la correa en 'V' en la polea de la potencia de arranque (PTO) usando uno de los dos métodos siguientes.



**¡ADVERTENCIA!** El silenciador en la parte trasera del tractor puede estar sumamente caliente y podría causar quemaduras graves. Tenga mucho cuidado cuando se encuentre cerca del silenciador. Deje que el silenciador se enfríe totalmente antes de instalar la correa.

### Uso de la polea loca para tensar la correa.

- Usando la manija de elevación de la plataforma, levante la plataforma a la posición que le ofrece mayor recorrido horizontal de la correa entre las poleas locas de la plataforma y la polea de la potencia de arranque en la base del motor.
- Instale la correa en la polea de la potencia de arranque (PTO) en la base del motor.
- Oriente el lado trasero de la correa alrededor de la polea loca fija de la plataforma. Vea la Figura 7-3.
- Desde la parte media del tractor, haga girar el soporte de la polea loca/polea móvil hacia atrás contra la tensión del resorte y deslice la parte trasera de la correa en la polea loca móvil. Vea la Figura 7-3.

### Para poner la correa en la polea de la potencia de arranque (PTO).

- Usando la manija de elevación de la plataforma, levante la plataforma a la posición que le ofrece mayor recorrido horizontal de la correa entre las poleas locas de la plataforma y la polea de la potencia de arranque en la base del motor.
- Asegúrese de que la correa esté en las poleas del husillo de la plataforma y que el lado trasero de la correa esté contra las poleas locas fija y móvil. Vea la Figura 7-3.
- Sentado detrás del tractor, mirando hacia adelante, asegúrese de que la correa no esté retorcida; luego alcance debajo del tractor para agarrar la correa y tirar de la misma hacia la polea de la potencia de arranque (PTO).



**¡ADVERTENCIA!** Tenga cuidado de no pellizcarse los dedos cuando coloca la correa en la polea de la potencia de arranque.

- Tire del lado derecho de la correa hacia atrás y coloque el lado V angosto de la correa en la polea de la potencia de arranque (PTO). Vea la Figura 7-5.

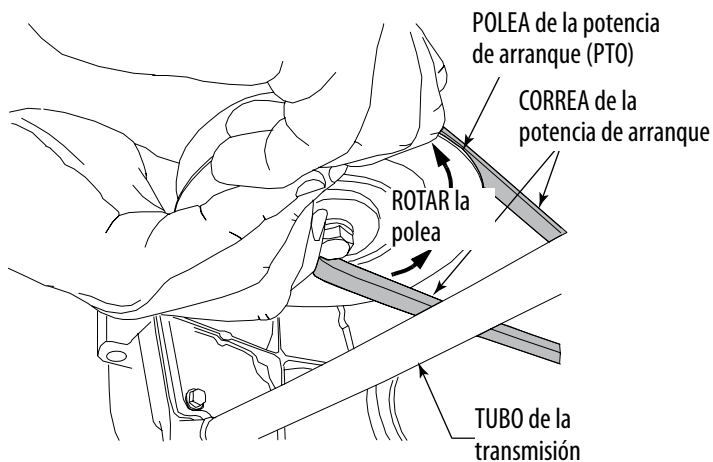


Figura 7-5

- Mientras sostiene la correa y la polea juntas, rote la polea hacia la izquierda (Vea la Figura 7-5). Siga sosteniendo y rotando la polea y la correa hasta que la correa se enrolle totalmente en la polea de la potencia de arranque (PTO).

### Reemplazo de la correa de transmisión de la plataforma

- Retire la plataforma desde abajo del tractor (consulte Retiro de la plataforma en la página 26).
- Retire los tornillos autorroscantes hexagonales que fijan las cubiertas de la correa a la plataforma y retire la correa de las poleas del husillo. Vea la Figura 7-6.
- Instale la nueva correa alrededor de las poleas del husillo tal como se muestra en la Figura 7-6 y vuelva a instalar las cubiertas de la correa.
- Oriente la correa hacia atrás entre las dos poleas locas y reinstale la plataforma según las instrucciones sobre **Instalación de la plataforma** en la página 27.

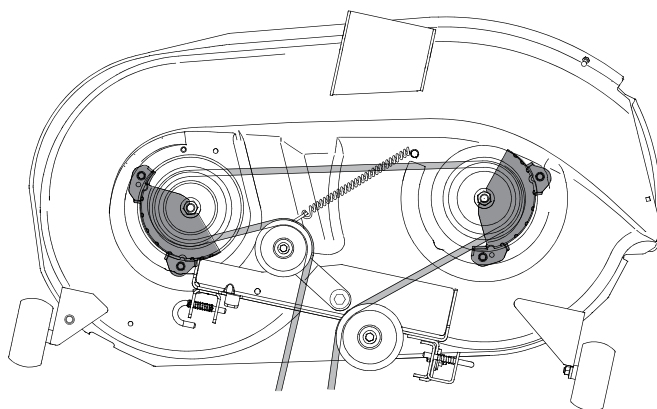


Figura 7-6



## Cuidado de las cuchillas de la cortadora de césped



**¡ADVERTENCIA!** Antes de realizar cualquier tarea de mantenimiento, coloque el interruptor de la potencia de arranque (PTO) en la posición "OFF" (apagado), enganche la palanca del freno de mano, gire la llave de encendido a la posición "OFF" (apagado) y retire la llave del interruptor. Cuando realice el mantenimiento de la plataforma de la cortadora de césped, tenga cuidado para no cortarse con las cuchillas filosas.

Las cuchillas de corte deben estar siempre afiladas. Afile los bordes de corte de las cuchillas de forma pareja de modo que las cuchillas queden balanceadas y se mantenga el mismo ángulo de filo.

Si el borde de corte de una cuchilla ya se ha afilado muchas veces, o si hay alguna separación en el metal, se recomienda instalar cuchillas nuevas. El distribuidor autorizado le puede proveer cuchillas nuevas.

Las cuchillas se pueden extraer de la siguiente manera.

- Extraiga la plataforma de la parte inferior del tractor, (consulte la sección Extracción de la plataforma en la página 26); luego voltee con delicadeza la plataforma para dejar al descubierto su parte inferior.
- Use una llave de 15/16 pulgadas para sostener la tuerca hexagonal en la parte superior del conjunto del husillo cuando afloje la tuerca hexagonal que fija la cuchilla. Se puede colocar un bloque de madera entre el alojamiento de la plataforma y el borde de corte de la cuchilla para ayudar a aflojar la tuerca hexagonal que fija la cuchilla. Vea la Figura 7-7.

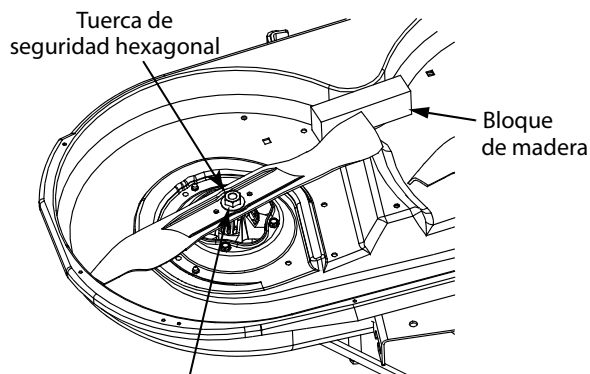


Figura 7-7

- Cuando reinstale las cuchillas, asegúrese de que se instalen de modo que las aletas de ventilación se orienten hacia arriba hacia la parte superior de la plataforma.
- Ajuste las tuercas de las cuchillas a 70-90 pies libras.
- Reinstale la plataforma (consulte Instalación de la plataforma en la página 27).

## Correa de transmisión

Si la correa de transmisión se desgasta y hace que las transmisiones patinen es necesario reemplazarla. Para cambiar la correa de transmisión proceda de la siguiente manera:

- Retire la correa de transmisión de la plataforma del embrague de la potencia de arranque (PTO), en la base del motor, siguiendo las instrucciones de **Retiro de la plataforma**.
- Desde abajo de la parte trasera del tractor, inserte una llave de apriete de trinquete de 3/8 de pulgada en el orificio cuadrado del soporte de polea loca de la transmisión. Vea la Figura 7-8.

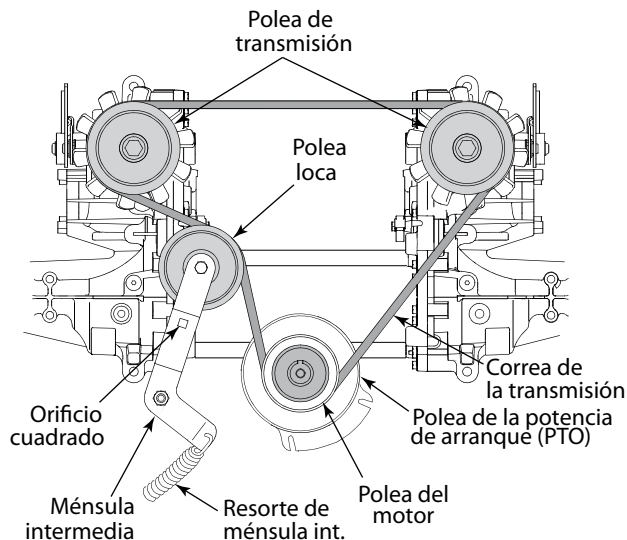


Figura 7-8

- Haciendo palanca con la llave de trinquete, gire el soporte de polea loca y la polea loca separándolos del lado posterior de la correa en 'V'; luego saque la correa levantándola por encima de la polea del motor y de la polea loca.
- Con la correa suelta, saque la correa levantándola por encima de las dos poleas de transmisión. Retire la correa del motor y de las poleas locas.
- Enganche la nueva correa y pásela por encima de las dos poleas de transmisión.
- Dirija la correa por encima del soporte de polea loca y de vuelta a la polea de transmisión del motor. Levante la correa por encima de la polea loca de la potencia de arranque (PTO) y por encima de la polea de transmisión del motor.
- Haciendo palanca con la llave de trinquete, gire el soporte de polea loca y la polea loca contra la tensión del resorte; luego calce la correa en la polea de transmisión del motor y en la polea loca.
- Suelte el soporte de polea loca de modo que la polea loca se ajuste contra la parte posterior de la correa y tensione la correa de transmisión.
- Vuelva a instalar la correa de transmisión de la plataforma.

## Desplazamiento lento del tractor

Desplazamiento lento es el movimiento del tractor hacia adelante o hacia atrás cuando el motor funciona en ralentí alta y las palancas de control de transmisión están abiertas hacia afuera en posición neutral.

Si después de funcionar un tiempo el tractor comienza a desplazarse lentamente mientras se encuentra en posición neutral, ajuste las varillas de control de la transmisión de la siguiente forma.

- Coloque el frente del tractor contra un objeto inamovible (por ejemplo, una pared, un poste, etc.).
- Levante con el gato la parte trasera del tractor de modo que las dos ruedas traseras queden aproximadamente a una pulgada del suelo.
- Con el motor funcionando a ralentí alta y las palancas de control de transmisión abiertas hacia afuera en posición neutral y el freno de mano desenganchado, inspeccione la rotación de las ruedas traseras.
- Si solamente gira una rueda, ubique la varilla de control de transmisión debajo del bastidor, delante del neumático trasero. Si las dos ruedas rotan, ubique las dos varillas de control. Vea la Figura 7-9.

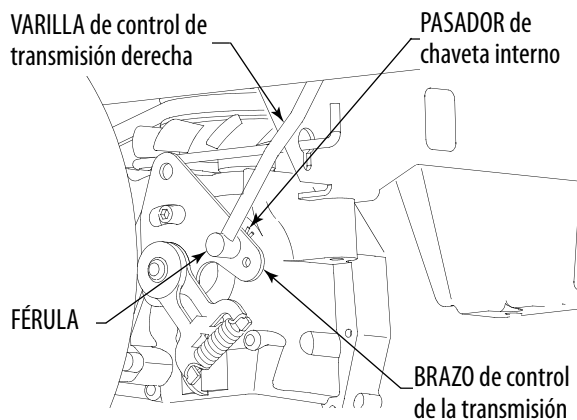


Figura 7-9

- Retire el pasador de chaveta interno que fija la férula al brazo de control de la transmisión y retire la férula. La rueda debe dejar de rotar. De no hacerlo, póngase en contacto con su distribuidor de Troy-Bilt.
- Si deja de rotar, ajuste la férula para arriba o abajo de la varilla de control según sea necesario para alinearla con el orificio del brazo de control de transmisión. Vuelva a insertar la férula en el orificio del brazo de control y fíjela con el pasador de chaveta interno.
- Si es necesario, repita los dos pasos previos para ajustar la otra varilla de control de transmisión.
- Baje el tractor y quite el gato.

## Desvío del tractor a alta velocidad

Si el tractor se desvía hacia un lado cuando ambas palancas de control de transmisión están totalmente hacia adelante, ajuste las palancas de control de la siguiente forma:

- Controle que la presión de aire esté balanceada y que sea adecuada en las ruedas delanteras y traseras. Infle los neumáticos si es necesario.
- Realice los primeros tres pasos de la subsección anterior, 'Desvío del tractor' para verificar que el tractor no se esté desviando. Si es así, realice los ajustes necesarios según se describe en esa subsección.
- Vuelva a inspeccionar la desviación después de realizados los ajustes de las varillas de control de la transmisión.
- Si persiste el problema de desviación, observe hacia qué dirección se desvía el tractor.
  - Si el tractor se desvía hacia la derecha, ajuste el perno de parada de la palanca de control del lado izquierdo.
  - Si el tractor se desvía hacia la izquierda, ajuste el perno de parada de la palanca de control del lado derecho.
- Ubique el perno de parada correspondiente en la consola izquierda o derecha. Vea la Figura 7-10.

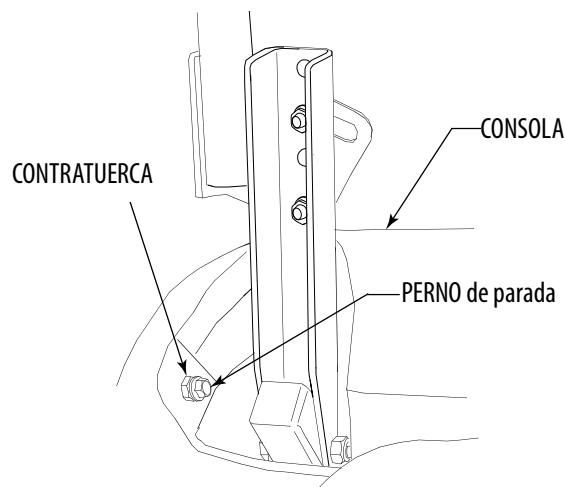

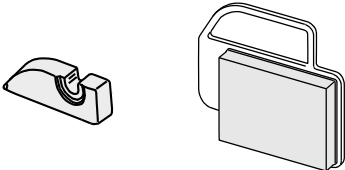
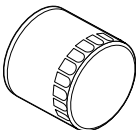
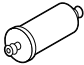
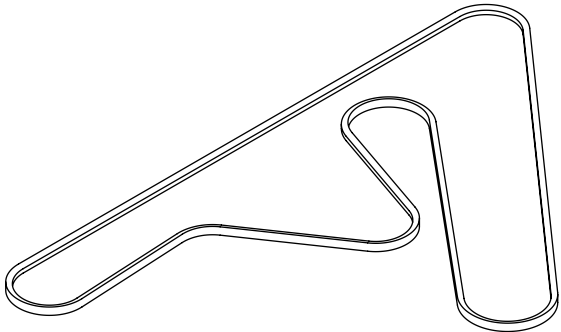
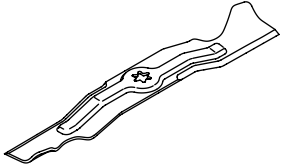
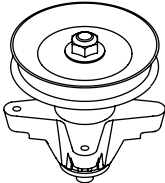



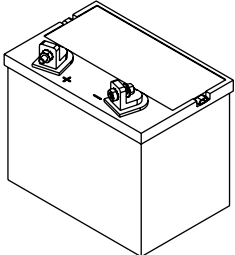


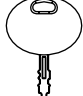
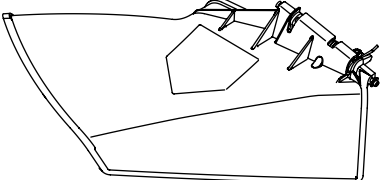
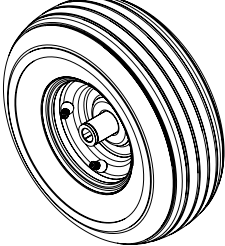
Figura 7-10

- Afloje la contratuerca del perno de parada, luego gire el perno de parada en sentido contrario a las agujas del reloj para alargarlo. Vuelva a controlar la desviación y retoque el ajuste según sea necesario. **NOTA:** Si el perno de parada se ajusta demasiado, el problema de desviación pasará al otro lado. Realice los ajustes mínimos necesarios acortando el mismo perno.
- Apriete la contratuerca contra la consola y vuelva a posicionar la palanca de control si es necesario para que las dos manijas de control estén emparejadas.

Problema	Causa	Solución
El motor no arranca	<ol style="list-style-type: none"> <li>1. Perilla de potencia de arranque (PTO) (enganche de cuchilla) conectada.</li> <li>2. No está colocado el freno de mano.</li> <li>3. Las palancas de control de transmisión no están totalmente hacia afuera en la posición neutral.</li> <li>4. Se ha desconectado el cable de las bujías.</li> <li>5. La palanca de control del regulador no está en la posición de arranque correcta.</li> <li>6. No se ha activado el cebador</li> <li>7. El depósito de combustible está vacío o el combustible se ha echado a perder.</li> <li>8. La línea del combustible está bloqueada.</li> <li>9. La bujía no funciona correctamente.</li> <li>10. Motor ahogado.</li> </ol>	<ol style="list-style-type: none"> <li>1. Coloque la perilla en la posición de desconexión (OFF).</li> <li>2. Coloque el freno de mano.</li> <li>3. Coloque las palancas de control de transmisión totalmente hacia afuera en la posición neutral.</li> <li>4. Conecte el cable a la bujía.</li> <li>5. Mueva la palanca del regulador a la posición FAST (rápido).</li> <li>6. El regulador de empuje controla la palanca para ahogar la posición.</li> <li>7. Llene el depósito con gasolina limpia y nueva (de menos de 30 días).</li> <li>8. Limpie la línea de combustible y reemplace el filtro de combustible.</li> <li>9. Limpie o cambie la bujía o ajuste la separación.</li> <li>10. Arranque el motor con el regulador en posición FAST (rápido).</li> </ol>
El motor funciona de manera errática	<ol style="list-style-type: none"> <li>1. La unidad está funcionando con el CEBADOR activado.</li> <li>2. Se ha aflojado el cable de la bujía.</li> <li>3. La línea del combustible está tapada o el combustible se ha echado a perder.</li> <li>4. La ventilación de la tapa del combustible está obstruida.</li> <li>5. Agua o suciedad en el sistema del combustible.</li> <li>6. El filtro de aire está sucio.</li> </ol>	<ol style="list-style-type: none"> <li>1. Tire la palanca de control de regulador hacia atrás de la posición de estártter</li> <li>2. Conecte el cable de la bujía.</li> <li>3. Limpie la línea de combustible; llene el tanque con gasolina limpia y fresca y reemplace el filtro de combustible.</li> <li>4. Destape la ventilación o reemplace la tapa si está dañada.</li> <li>5. Vacíe el tanque de combustible. Llene el tanque con gasolina limpia y fresca.</li> <li>6. Reemplace el elemento de papel del filtro de aire o limpie el depurador de espuma.</li> </ol>
El motor recalienta	<ol style="list-style-type: none"> <li>1. El nivel de aceite del motor está bajo.</li> <li>2. Flujo de aire restringido.</li> </ol>	<ol style="list-style-type: none"> <li>1. Llene el cárter con la cantidad adecuada y peso de aceite.</li> <li>2. Limpie los recortes de césped y residuos de alrededor de las aletas de refrigeración del motor y del alojamiento del soplador.</li> </ol>
El motor vacila a altas revoluciones	<ol style="list-style-type: none"> <li>1. La separación de las bujías es muy pequeña.</li> </ol>	<ol style="list-style-type: none"> <li>1. Retire las bujías y reajuste la separación.</li> </ol>
El motor funciona con dificultad en ralentí	<ol style="list-style-type: none"> <li>1. Bujía atorada, averiada o exceso de separación.</li> <li>2. El filtro de aire está sucio.</li> </ol>	<ol style="list-style-type: none"> <li>1. Reemplace las bujías. Configure la separación de la bujía.</li> <li>2. Reemplace el elemento del filtro de aire y/o limpie el depurador.</li> </ol>
Demasiada vibración	<ol style="list-style-type: none"> <li>1. Cuchilla de corte floja o descentrada.</li> <li>2. Cuchilla dañada o curvada.</li> </ol>	<ol style="list-style-type: none"> <li>1. Apriete la cuchilla y el husillo.</li> <li>2. Reemplace la cuchilla.</li> </ol>
Corte desigual	<ol style="list-style-type: none"> <li>1. La plataforma no está correctamente nivelada.</li> <li>2. La cuchilla de la cortadora no está afilada.</li> <li>3. Presión de neumáticos desigual.</li> </ol>	<ol style="list-style-type: none"> <li>1. Realice un ajuste de la plataforma lado a lado.</li> <li>2. Afile o cambie la cuchilla.</li> <li>3. Verifique la presión de los cuatro neumáticos.</li> </ol>
La cortadora de césped no regresa el recorte de césped como abono (si está equipada con kit de abono)	<ol style="list-style-type: none"> <li>1. La velocidad del motor es demasiado lenta.</li> <li>2. Césped húmedo.</li> <li>3. Césped demasiado alto.</li> <li>4. La cuchilla de la cortadora no está afilada.</li> </ol>	<ol style="list-style-type: none"> <li>1. Coloque el control del regulador en la posición FAST (velocidad rápida, representada por una liebre).</li> <li>2. No realice abono cuando el césped está húmedo.</li> <li>3. Corte una vez a una altura de corte elevada y luego vuelva a cortar el césped a la altura deseada, o haga una pasada de corte más angosta.</li> <li>4. Afile o cambie la cuchilla.</li> </ol>

Componente	Número de pieza y Descripción
	759-3336 Bujía (Champion RC12YC)
	KH-20-883-02-S Depurador y elemento de filtro de aire Kohler
	KH-12-050-01-S Filtro de aceite Kohler
	KH-25-050-22-S1 Filtro de combustible Kohler
	954-04137 Correa de transmisión (plataforma de corte) 954-04043A Correa de transmisión
	942-0616A Cuchilla de plataforma 3-en-1
	918-0624 Husillo de plataforma

Llame por teléfono al (800) 828-5500 para solicitar piezas de reemplazo o un Manual de Piezas de Repuesto completo (tenga el número de modelo y número de serie de su máquina a mano). En [www.troybilt.com](http://www.troybilt.com) también podrá descargar el Manual de Piezas de Repuesto sin cargo alguno.

Componente	Número de pieza y Descripción
	734-04155 Rueda de plataforma
	925-1707D Batería
	951-3124D Tapón del depósito de combustible
	746-04161 Control/Cable del regulador
	725-1745 Llave de encendido
	931-1032B Conjunto de canal de descarga
	634-04237A Montaje de la ruedita

Llame por teléfono al (800) 828-5500 para solicitar piezas de reemplazo o un Manual de Piezas de Repuesto completo (tenga el número de modelo y número de serie de su máquina a mano). En [www.troybilt.com](http://www.troybilt.com) también podrá descargar el Manual de Piezas de Repuesto sin cargo alguno.

Los siguientes aditamentos y accesorios son compatibles con el tractor Troy-Bilt RZT. Consulte con su distribuidor Troy-Bilt o con el representante al cual le ha comprado el tractor para obtener más información con respecto a precios y disponibilidad.

Número de modelo	Descripción
590-302-000	Embolsadora doble
190-116-000	Clavija para abono

## **DECLARACIÓN DE GARANTÍA DEL CONTROL DE LAS EMISIONES DE CALIFORNIA DERECHOS Y OBLIGACIONES DE SU GARANTÍA**

El Departamento de los Recursos de Aire de California y MTD Consumer Group Inc, se complacen en explicar la garantía del sistema de control de emisiones por evaporación de su cortadora de césped 2007. En California, las nuevas máquinas para cortar césped se deben diseñar, construir y equipar de modo de cumplir con las rigurosas normas contra la polución del estado. MTD Consumer Group Inc debe garantizar el sistema de control de emisiones por evaporación (EECS) de su cortadora de césped por el período de tiempo indicado más abajo, siempre y cuando no exista uso incorrecto, negligencia o mantenimiento inadecuado de dicha máquina.

El sistema EECS puede incluir piezas tales como el carburador, el sistema de inyección a combustible, el sistema de encendido, el convertidor catalítico, los depósitos de combustible, las líneas de combustible, los tapones de combustible, las válvulas, contenedores, filtros, mangueras de vapor, abrazaderas, conectores y otros componentes afines relacionados con las emisiones.

**Donde exista una condición cubierta por la garantía, MTD Consumer Group Inc reparará su cortadora de césped sin costo alguno incluyendo el diagnóstico, las piezas y la mano de obra.**

### **COBERTURA DE LA GARANTÍA DEL FABRICANTE:**

Este sistema de control de emisiones por evaporación se garantiza por el término de dos años. Si alguna pieza de su equipo relacionada con las emisiones por evaporación es defectuosa, MTD Consumer Group Inc reparará o sustituirá dicha parte.

### **RESPONSABILIDADES DEL PROPIETARIO SEGÚN LA GARANTÍA**

En su carácter de propietario de la cortadora de césped, usted es responsable del mantenimiento requerido que se especifica en el manual del propietario. MTD Consumer Group Inc le recomienda que conserve todos los recibos que cubren el mantenimiento de su cortadora de césped, no obstante lo cual MTD Consumer Group Inc no podrá denegar el cumplimiento de la garantía únicamente por la falta de los recibos.

Como propietario de la cortadora de césped, usted debe saber que MTD Consumer Group Inc puede denegar la cobertura de la garantía si su cortadora de césped o una pieza de la misma fallan debido a uso incorrecto, negligencia, mantenimiento indebido o a modificaciones no aprobadas.

Usted es responsable de presentar la cortadora de césped al centro de distribución o de mantenimiento de MTD Consumer Group Inc tan pronto como apareciera el problema. Las reparaciones cubiertas por la garantía se deben llevar a cabo en un lapso razonable que no exceda de 30 días. Si desea realizar alguna consulta con respecto a la cobertura de la garantía, debe ponerse en contacto con su distribuidor local de MTD. Para comunicarse con la Línea de Asistencia al Cliente de Distribuidores de MTD, llame al número (800) 800-7310.

### **COBERTURA DE LA GARANTÍA DE EMISIONES GENERALES:**

MTD Consumer Group Inc garantiza al comprador final y a cada comprador subsiguiente que la cortadora de césped: está diseñada, construida y equipada de modo de cumplir con todas las regulaciones aplicables y que se encuentra libre de defectos de materiales y de fabricación que pudieren causar la falla de una pieza garantizada idéntica en todos los aspectos materiales a la pieza descrita en la solicitud de certificación de MTD Consumer Group Inc.

El período de garantía comienza en la fecha de entrega de la cortadora al comprador final o en la fecha en que la máquina se pone en funcionamiento por primera vez. El período de garantía es de dos años. Sujeto a ciertas condiciones y exclusiones que se indican a continuación, la garantía de las piezas relacionadas con las emisiones es la siguiente:

1. Cualquier pieza garantizada que no esté programada para ser reemplazada como parte del mantenimiento requerido en las instrucciones escritas suministradas se garantiza por el período de garantía arriba mencionado. Si la pieza falla durante el período de cobertura de la garantía, la misma será reparada o reemplazada por MTD Consumer Group Inc de acuerdo con el párrafo (4) a continuación. Cualquier pieza reparada o reemplazada según la garantía se garantizará por el resto del período de garantía.
2. Cualquier pieza garantizada que esté programada solamente para inspección regular en las instrucciones escritas suministradas se garantiza por el período de garantía arriba mencionado. Cualquier pieza reparada o reemplazada según la garantía se garantizará por el resto del período.
3. Cualquier pieza garantizada que esté programada para reemplazo según el mantenimiento requerido de conformidad con las instrucciones escritas suministradas, se garantiza por el período de tiempo anterior a la primera fecha de reemplazo programada para esa pieza. Si la pieza falla antes del primer reemplazo programado, la misma será reparada o reemplazada por MTD Consumer Group Inc de acuerdo con el párrafo (4) a continuación. Cualquier pieza reparada o reemplazada bajo garantía se garantizará por el resto del período anterior al primer reemplazo programado puntual para esa pieza.
4. La reparación o el reemplazo de cualquier pieza garantizada de conformidad con las disposiciones de la garantía que aquí se estipula se debe realizar en un centro de servicio técnico sin costo alguno para el propietario.
5. No obstante las disposiciones que aquí se estipulan, los servicios o reparaciones bajo garantía se suministrarán en todos nuestros centros de distribución bajo franquicia de mantenimiento para los motores o equipo en cuestión.
6. El propietario de la cortadora de césped no deberá pagar el trabajo de diagnóstico directamente asociado con una pieza garantizada defectuosa en relación con las emisiones, siempre y cuando dicho trabajo de diagnóstico se realice en un centro cubierto por la garantía.
7. MTD Consumer Group Inc es responsable por daños causados a otros componentes de motores o equipo derivados de la falla bajo garantía de cualquier pieza garantizada.
8. Durante la totalidad del período de garantía arriba mencionado, MTD Consumer Group Inc mantendrá un suministro de piezas bajo garantía suficiente para satisfacer la demanda esperada de tales piezas.
9. Cualquier pieza de reemplazo se podrá usar para el cumplimiento del mantenimiento bajo garantía o las reparaciones se suministrarán sin cargo para el propietario. Dicho uso no reducirá las obligaciones de garantía de MTD Consumer Group Inc.
10. No se podrán usar piezas adicionales ni modificadas que no estén exentas de acuerdo con el Departamento de los Recursos del Aire (Air Resources Board). El uso de cualquier pieza adicional o modificada no exenta por el comprador final será causal de invalidez de los reclamos bajo garantía. MTD Consumer Group Inc no tendrá responsabilidad por la garantía de fallas de piezas garantizadas que fueren causadas por el uso de una pieza no exenta adicional o modificada.

### **PIEZAS GARANTIZADAS:**

La reparación o el reemplazo de cualquier pieza garantizada que de otro modo pudiese estar cubierta por la garantía podrá ser excluida de tal cobertura de garantía si MTD Consumer Group Inc demuestra que la cortadora de césped es objeto de uso incorrecto, negligencia o mantenimiento inadecuado, y que tal uso incorrecto, negligencia o mantenimiento inadecuado fue causa directa de la necesidad de reparación o reemplazo de dicha pieza. No obstante lo antedicho, cualquier ajuste de un componente con un dispositivo de limitación de ajuste instalado en fábrica y que funcione adecuadamente, podrá ser cubierto por la garantía. La siguiente lista de piezas es cubierta por la garantía de emisiones: Línea de combustible, abrazaderas de la línea de combustible

# GARANTÍA LIMITADA DEL FABRICANTE PARA



La siguiente garantía limitada es otorgada por Troy-Bilt LLC con respecto a nuevos productos adquiridos y utilizados en Estados Unidos y/o sus territorios y posesiones, y por MTD Products Limited con respecto a nuevos productos adquiridos y utilizados en Canadá y/o sus territorios y posesiones (cualquiera de las dos entidades, respectivamente, "Troy-Bilt").

"Troy-Bilt" garantiza este producto (excluidas las Piezas y Accesorios con Desgaste Normal según se describe más abajo) contra defectos en los materiales y mano de obra por un período de dos (2) años a partir de la fecha de compra original y, a su opción, reparará o reemplazará, sin costo alguno, cualquier pieza que presente defectos en los materiales o de mano de obra. Esta garantía limitada sólo se aplicará si el producto ha sido operado y mantenido de acuerdo con las instrucciones del Manual del Operador que se proporciona con el producto y no ha sido sujeto a uso inapropiado, abuso, uso comercial, abandono, accidente, mantenimiento incorrecto, alteración, vandalismo, robo, incendio, inundación o algún daño debido a otro peligro o desastre natural. El daño resultante por la instalación o el uso de piezas, accesorios o aditamentos no aprobados por Troy-Bilt para su uso con el(los) producto(s) incluido(s) en este manual anulará la garantía en lo que respecta a esos daños.

Se garantiza que las Piezas con Desgaste Normal están libres de defectos en los materiales y mano de obra por un período de treinta (30) días a partir de la fecha de compra. Las piezas sujetas a desgaste normal incluyen pero no se limitan a: baterías, correas, cuchillas, adaptadores para cuchillas, dientes, bolsas para pasto, ruedas, ruedas para la plataforma de la podadora tractor, asientos, zapatas antideslizantes, ruedas de fricción, placas de raspado, gomas helicoidales y neumáticos.

Accesorios — Troy-Bilt garantiza que los accesorios de este producto están libres de defectos de material y mano de obra durante un período de un (1) año a partir de la fecha de compra o arrendamiento original del accesorio. Los accesorios incluyen, pero no se limitan a: colectores de césped y kits para abono.

**CÓMO SOLICITAR Y OBTENER SERVICIO TÉCNICO:** El servicio de la garantía está disponible, CON PRUEBA DE COMPRA, a través del distribuidor de servicio local autorizado. Para localizar al distribuidor de su zona:

## **En Estados Unidos de América**

Consulte las páginas amarillas, o póngase en contacto con Troy-Bilt LLC en P.O. Box 361131, Cleveland, Ohio 44136-0019, llame al 1-866-840-6483, 1-330-558-7220 ó visite nuestro sitio web en [www.troybilt.com](http://www.troybilt.com).

## **En Canadá**

Póngase en contacto con MTD Products Limited, Kitchener, ON N2G 4J1, llame al 1-800-668-1238 ó visite nuestro sitio web en [www.mtdcanada.com](http://www.mtdcanada.com).

Esta garantía limitada no suministra cobertura en los siguientes casos:

- a. El motor o las piezas que lo componen. Estos productos pueden tener garantía del fabricante por separado. Consulte los términos y condiciones en la garantía correspondiente del fabricante.

- b. Las bombas, válvulas y cilindros del rompeterconos tienen una garantía separada de un año.
- c. Los artículos necesarios para el mantenimiento de rutina como por ejemplo lubricantes, filtros, afiladores de cuchillas, sincronización del motor, los ajustes de los frenos, del embrague o de la plataforma y el deterioro normal del acabado exterior debido al uso o exposición.
- d. Mantenimiento no realizado por el distribuidor de servicio autorizado.
- e. Troy-Bilt no extiende ninguna garantía para los productos vendidos o exportados fuera de los Estados Unidos de América y/o Canadá, y sus respectivas posesiones y territorios, excepto para aquellos vendidos a través de los canales autorizados de distribución de exportaciones de Troy-Bilt.
- f. Piezas de reemplazo que no son piezas originales de Troy-Bilt.
- g. Gastos de transporte y visitas técnicas.
- h. Troy-Bilt no garantiza este producto para uso comercial.

**No existe ninguna garantía implícita, incluyendo cualquier garantía implícita de comerciabilidad o adaptabilidad para un propósito en particular, una vez transcurrido el periodo aplicable de garantía escrita según lo antedicho en relación con las piezas identificadas. Ninguna otra garantía expresa, ni oral ni escrita, excepto la mencionada anteriormente, extendida por personas reales o jurídicas, incluidos los distribuidores o los minoristas con respecto a cualquier producto, obligará a Troy-Bilt. Durante el plazo de la garantía el único recurso es la reparación o reemplazo del producto como se indicó anteriormente.**

**Las disposiciones de esta garantía cubren el recurso de reparación única y exclusiva que surge de la venta. Troy-Bilt no se hará responsable de ninguna pérdida o daño incidental o resultante, incluyendo sin limitación, los gastos incurridos para los servicios de mantenimiento del césped, o los gastos de arrendamiento para reemplazar de manera transitoria un producto bajo garantía.**

Algunos estados no permiten la exclusión o limitación de los daños y perjuicios incidentales o directos, o las limitaciones sobre la duración de las garantías implícitas, por lo que las exclusiones o limitaciones mencionadas anteriormente pueden no serle de aplicación.

En ningún caso se obtendrá una compensación de ningún tipo por un monto mayor al precio de compra del producto vendido. **La alteración de las características de seguridad del producto anulará esta garantía.** Usted asume el riesgo y la responsabilidad de las pérdidas, daños o lesiones que sufran usted y sus bienes y / u otras personas y sus bienes como resultado del uso incorrecto o de la falta de capacidad para usar este producto.

Esta garantía limitada cubre solamente al comprador original, o a la persona que recibió el producto de regalo.

**CÓMO SE RELACIONA LA LEGISLACIÓN ESTATAL CON ESTA GARANTÍA:** Esta garantía limitada le otorga derechos legales específicos y usted también puede contar con otros derechos que varían de un estado a otro.

**IMPORTANTE:** El propietario debe presentar prueba de compra original para obtener la cobertura de la garantía.

**Troy-Bilt LLC, P.O. BOX 361131 CLEVELAND, OHIO 44136-0019, Teléfono: 1-866-840-6483, 1-330-558-7220 MTD Canada Limited - KITCHENER, ON N2G 4J1; Teléfono 1-800-668-1238**